

IMPERIAL

CLASSICAL BRITISH BATHROOMS

MADE IN BRITAIN

LONDON · PARIS · NEW YORK · SYDNEY · MOSCOW · HONG KONG · RIO DE JANEIRO

CLASSICAL BRITISH BATHROOMS



MADE IN BRITAIN

www.imperialbathroom.com



IMPERIAL

Handcrafted perfection in the finest British tradition

Precious craft skills handed down through the generations blend with the latest design ideas and manufacturing technology to create pieces of uncompromising originality and quality. This is the Imperial way and always will be. We see it as a partnership between passionate creators who never stop pursuing excellence and discerning homeowners who will never settle for less than the best. Welcome to our latest collections, each one a celebration of absolute perfection.

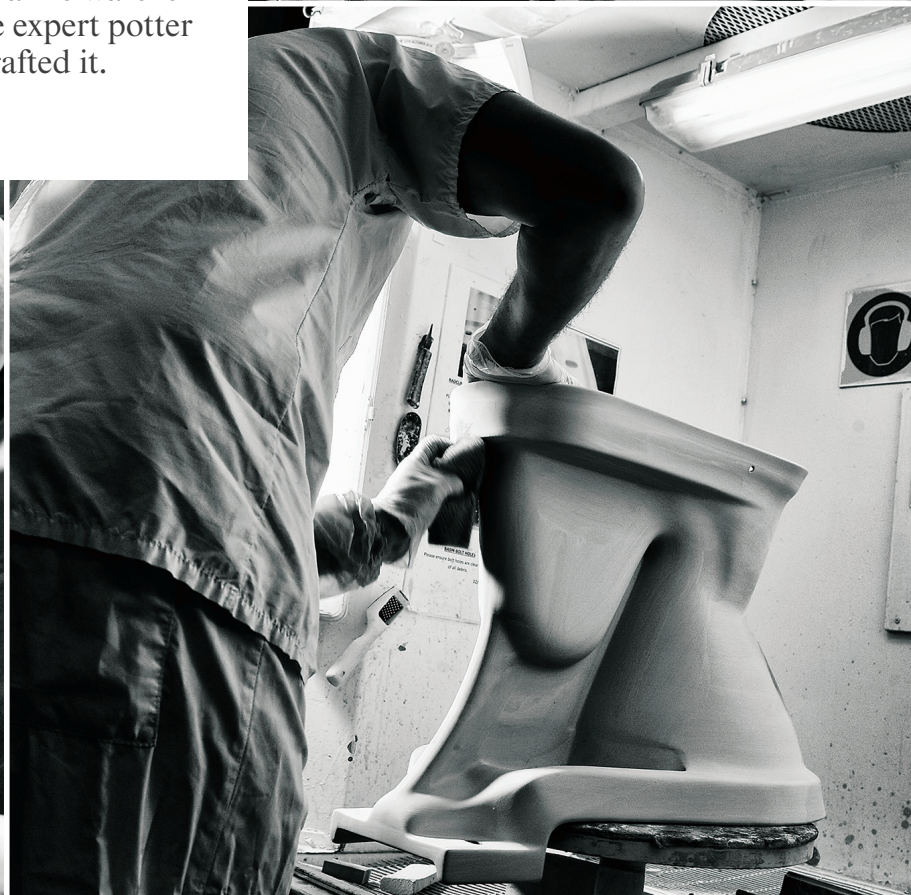


IMPERIAL





Each individual piece of
Imperial ceramic ware is
unique to the expert potter
who crafted it.



Nature and artistry in perfect harmony

All clays are not created equal, which is why at Imperial we insist on sourcing ours from a single location in Cheshire. This clay has a wonderful velvety texture that flows magically under the skilful hands of our potters, bringing to life every original vision of our world-class designers. Pieces with a flawless ceramic finish beneath layer upon layer of gleaming glaze. The closer you look, the more the Imperial difference sparkles.



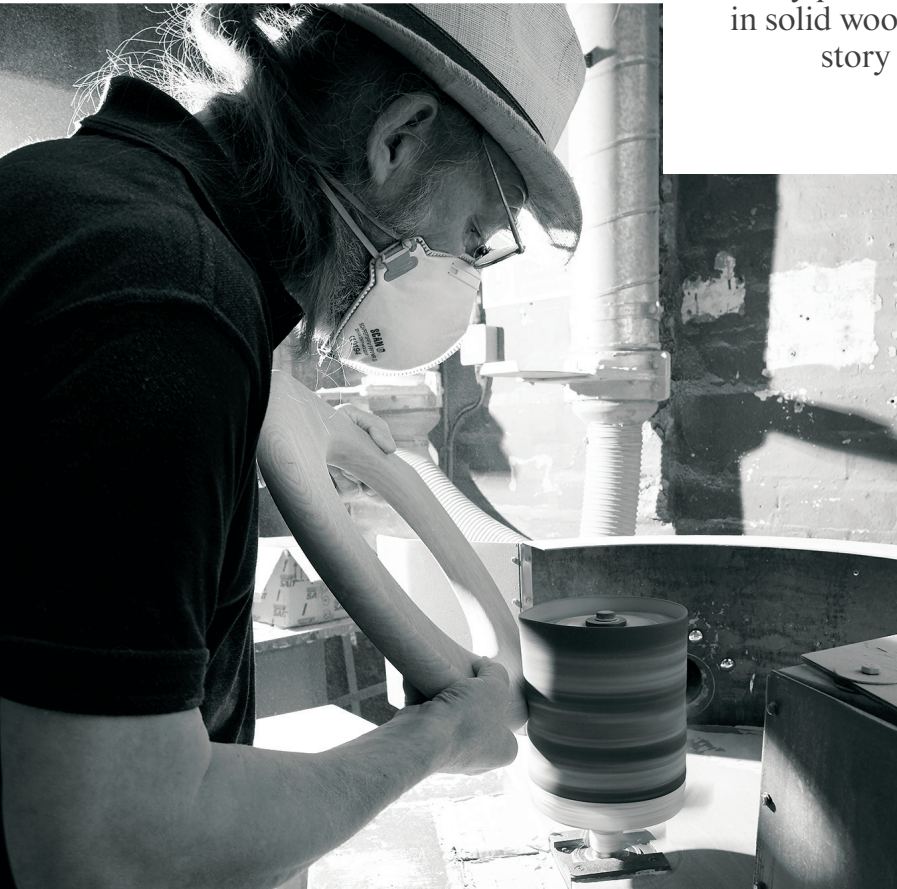


From sustainable timbers comes beauty that lasts a lifetime

Since ancient times human beings have enjoyed an emotional bond with trees. And even today that love affair continues with our admiration for solid wood. No other material on earth matches its warmth and the rich variety of its grains and colours. Our designers draw their inspiration from responsibly managed forests around the world, while our woodworkers bring those ideas to glowing life with a quintessentially British attention to detail.



Grown slowly over the years,
every piece hand crafted
in solid wood has its own
story to tell.





Imperial Hand Sprayed Furniture Finish Options

All of our quality furniture is manufactured in the UK from solid wood. Our wood range is available in 3 painted and 2 wood options as well as unfinished*, allowing you to achieve your perfect bathroom scheme.



Natural Oak*



Wenge



White



Grey Ecu



Moseley Blue

*also available in unfinished oak





Radcliffe Thurlestone wall hung 2 drawer vanity unit
finished in Grey Ecu, available on page 76



THE COLLECTIONS BY IMPERIAL

So many choices – just imagine how many ways you could bring together the distinctive classically white ceramic, basin stands and luxury furniture found in this single collection.

Sanitaryware & Furniture Collections

Chelsea
14

Carlyon
34

Radcliffe
58

Astoria Deco
82

Drift
100

Bathing
122

Brassware & Showering
144

Mirrors & Accessories
168

Ancillaries, Spare Parts
& Toilet Seats
184



THE CHELSEA COLLECTION

A collection with exceptional presence and strength of character. Combine the ceramic ware and a selection of classical basin stands designed to complement the style of the Chelsea ceramics.

Ceramic Collection

16

Basin Stands

26

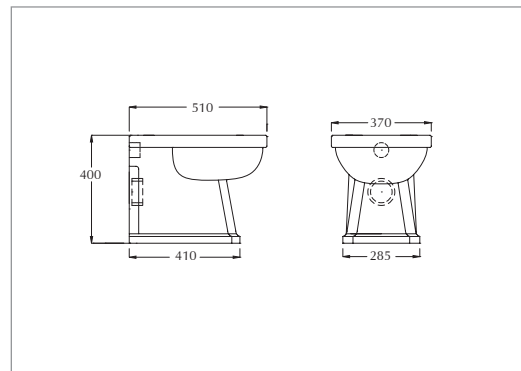
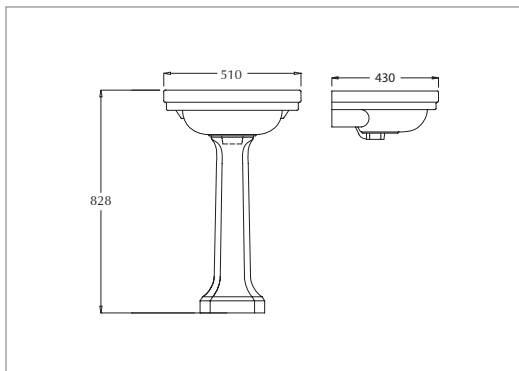
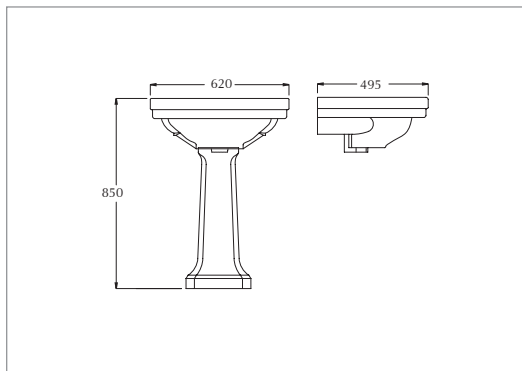
Chelsea Ceramic Ware

For Chelsea our designers have taken an iconic Victorian basin shape and rounded the corners a little more to provide a smooth and subtle variation on a classic look.





CHELSEA



Chelsea medium basin - 620mm

(1 tap hole)

White LN1MB11030

(3 tap hole)

White LN1MB31030

Chelsea pedestal

White LN1PE01000

Chelsea small basin - 510mm

(1 tap hole)

White LN1SB11030

(3 tap hole)

White LN1SB31030

Chelsea small pedestal

White LN2PE01000

Chelsea back to wall pan

(supplied without fittings)

(For use with Chelsea seat)

White LN1BC01030

Concealed cistern & extended lever

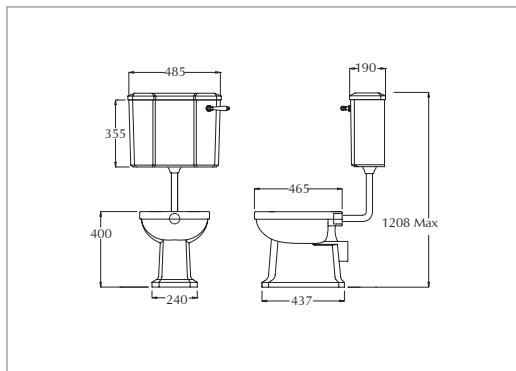
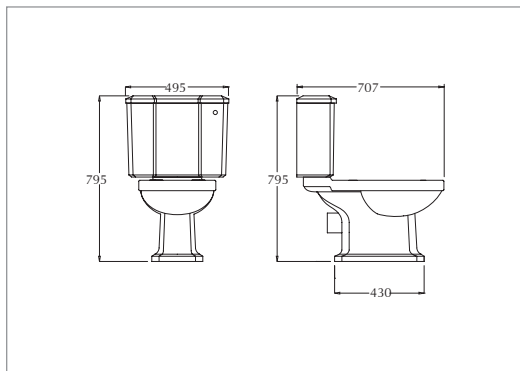
White/Chrome ZX012E00100

White/Antique Gold ZX012E00200

White/Polished Nickel ZX012E00300

Concealed cistern & push button

Chrome XC1200T100



Chelsea close coupled P Trap pan and cistern with chrome fittings - Lever

(For use with Chelsea seat)
(including all the components)

fittings

White/Chrome ZLNWCC1030C

Optional Extra - cistern handle lever only

White/Antique Gold XO12000200

White/Polished Nickel XO12000300

Chelsea P Trap pan and low level cistern with chrome fittings - Lever

(For use with Chelsea seat)
(including all the components)


fittings

White/Chrome ZLNWLC1030C

White/Antique Gold ZLNWLC1030I

White/Polished Nickel ZLNWLC1030N

Note: Ceramic connectors and ceramic bend connectors can be ordered from the Spares Section at the rear of the brochure.



Always aim at perfection
for only then will you
achieve excellence.

- J. R. D. Tata



CHELSEA Toilet Seat Options

STANDARD CLOSE



Imperial Chelsea solid timber toilet seat
supplied with a standard chrome hinge
(Made in the UK)

Natural Oak XG50000120
Wenge XG50000142

Imperial Chelsea solid timber toilet seat
supplied with a standard Gold plated
hinge **(Made in the UK)**

Natural Oak XG50000220
Wenge XG50000242



Imperial Chelsea toilet seat
supplied with a standard chrome hinge

Gloss White XG500SS110

SOFT - CLOSE



Imperial Chelsea solid timber toilet seat
supplied with soft-close chrome hinges
(Made in the UK)

Supplied with seat lid lift handle in the box

Natural Oak XG50000120NSB
Wenge XG50000142NSB
Grey Ecu XG50000104NSB
Moseley Blue XG50000114NSB



Imperial Chelsea solid timber toilet seat
supplied with soft-close chrome hinges

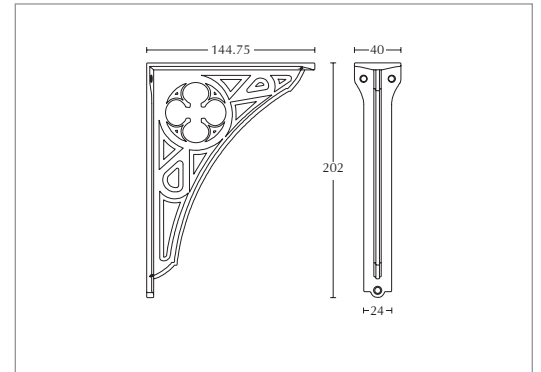
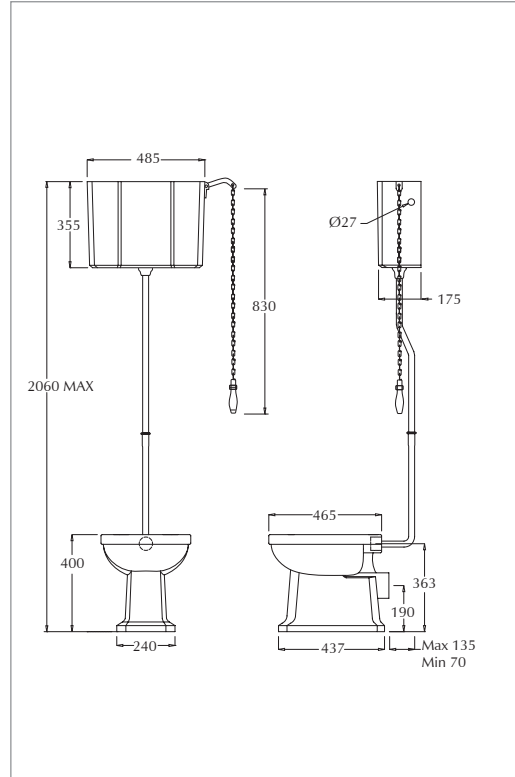
Gloss White XG500SS110SN
High Gloss Black XG500SS150SN

Note: Toilet seat hinges and lift handles can be ordered from the Spares Section at the rear of the brochure.



MADE IN BRITAIN

CHELSEA



Chelsea P Trap pan and high level cistern with chrome fittings - Lever

(For use with Chelsea seat)

(Including all the components and ornate white high level cistern brackets)

fittings

White/Chrome ZLNWHC1030C

White/Antique Gold ZLNWHC1030I

White/Polished Nickel ZLNWHC1030N

Ideal for use with P Trap pan:

Ceramic connectors

236mm

White XZ18070020

330mm

White XZ18070010

Ceramic bend connector

White XZ18070000

Plumber's mait - 750g

For use with

ceramic connectors PLUMB01

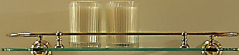
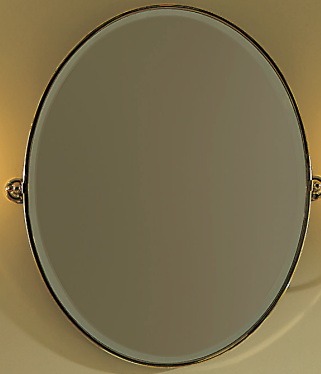
Ironbridge Metal High L cistern brackets

(Pair)

Chrome XO18000030C

Antique Gold XO18000030I

Polished Nickel XO18000030N



Chelsea Basin Stands

If you're looking to conjure a truly authentic period charm in your Chelsea bathroom then an Imperial basin stand hand-made in a choice of luxurious finishes will help you achieve it to perfection.







IMPERIAL

Aromatic
FOAMING BATH
Amply foams to create a rich
foam in a matter of minutes.
L'Occitane

L'Occitane



CHELSEA Basin Stands



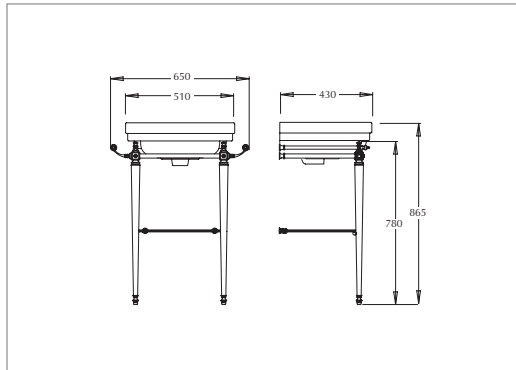
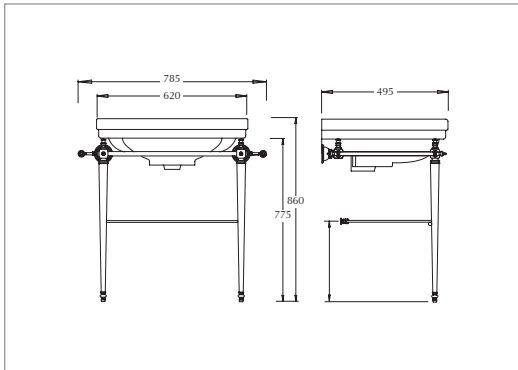


CHELSEA Basin Stands



“P” trap basin

Chrome	XO60160100
Antique Gold	XO60160200
Polished Nickel	XO60160300



“S” trap basin

Chrome	XO60150100
Antique Gold	XO60150200
Polished Nickel	XO60150300

Chelsea medium basin - 620mm

(1 tap hole)

White LN1MB11030

(3 tap hole)

White LN1MB31030

Chelsea small basin - 510mm

(1 tap hole)

White LN1SB11030

(3 tap hole)

White LN1SB31030

Chelsea medium basin stand with glass shelf

Chrome ZXBS4090100

Antique Gold ZXBS4090200

Polished Nickel ZXBS4090300

Chelsea Cloak basin stand with glass shelf

Chrome ZXBS3700100

Antique Gold ZXBS3700200

Polished Nickel ZXBS3700300



Traditional ¼ basin bottle trap

Chrome XO60130100N

Antique Gold XO60130200N

Polished Nickel XO60130300N







THE CARLYON COLLECTION

An inspiring selection of distinctive ceramic ware, showpiece basin stands and furniture in rich wood finishes for you to mix and match in any way you like, creating your own style.

Ceramic Collection

36

Basin Stands

44

Thurlestone Furniture

50

Roseland Furniture

54

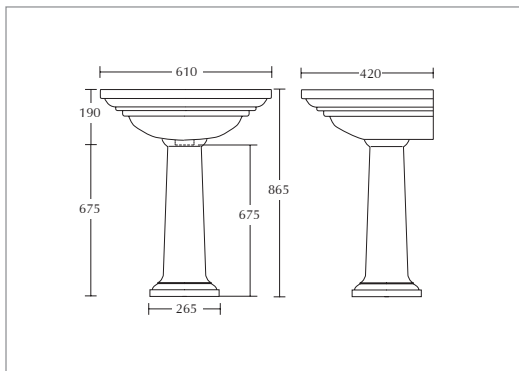
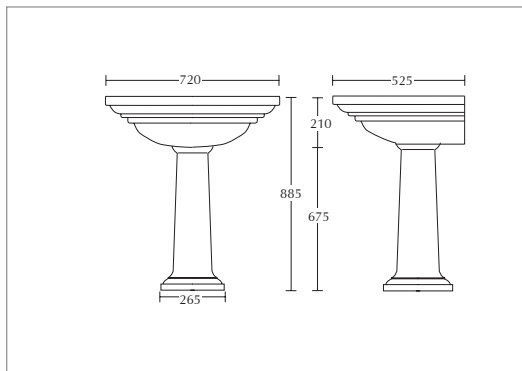
Carlyon Ceramic Ware

The design theme for our Carlyon Collection is set by the authentic look of the Carlyon ceramic ware. Here, the timeless appeal is gently softened by curved corners and neat styling around the basin interior.





CARLYON



Carlyon large basin - 720mm

(1 tap hole)

White CR1LB11030

(2 tap hole)

White CR1LB21030

(3 tap hole)

White CR1LB31030

Carlyon pedestal

White CR1PE01000

Carlyon medium basin - 610mm

(1 tap hole)

White CR1MB11030

(2 tap hole)

White CR1MB21030

(3 tap hole)

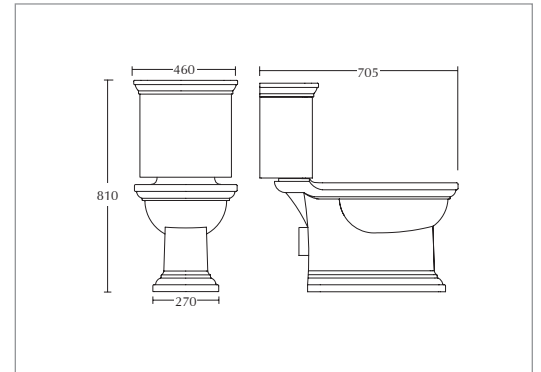
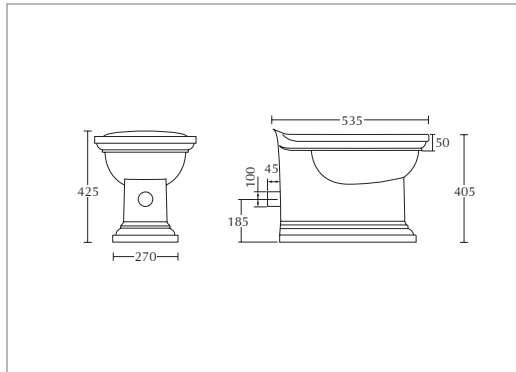
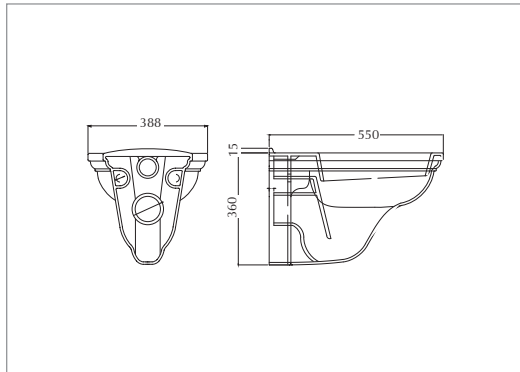
White CR1MB31030

Carlyon pedestal

White CR1PE01000



IMPERIAL



Carlyon wall-hung pan

(supplied without fittings and supporting brackets)
(For use with *Oval seat*)

White ZCR1WH01030

Concealed cistern & extended lever

White/Chrome ZXO12E00100
White/Antique Gold ZXO12E00200
White/Polished Nickel ZXO12E00300

Concealed cistern & push button

Chrome XC12001100

Carlyon back to wall pan

(supplied without fittings and supporting brackets)
(For use with *Windsor seat*)

White CR1BC01030

Concealed cistern & extended lever

White/Chrome ZXO12E00100
White/Antique Gold ZXO12E00200
White/Polished Nickel ZXO12E00300

Concealed cistern & push button

Chrome XC12001100

Carlyon close coupled P Trap pan and cistern with chrome fittings (push button)

(For use with *Windsor seat*)
(including all the components)
fittings

Chrome ZCR3WCC1030C

Optional Extra - *push button only*

Antique Gold XK99999955
Polished Nickel XK99999956

Note: Ceramic connectors and ceramic bend connectors can be ordered from the Spares Section at the rear of the brochure.



The beautifully crisp definition of the moulding details you can see here in Carlyon are one of the hallmarks of fine British ceramic ware by Imperial, reflecting the pride our craftspeople take in every single piece using handworking skills passed down through the generations.



OVAL Toilet Seat Options

STANDARD CLOSE



Imperial Oval solid timber toilet seat supplied with a standard chrome hinge (Made in the UK)

Natural Oak XX50008120
Wenge XX50008142

Imperial Oval solid timber toilet seat supplied with a standard Gold plated hinge (Made in the UK)

Natural Oak XX50008220
Wenge XX50008242



Imperial Oval toilet seat supplied with a standard chrome hinge

Gloss White XX500SS110

SOFT - CLOSE



Imperial Oval solid timber toilet seat supplied with soft-close chrome hinges (Made in the UK)

Supplied with seat lid lift handle in the box

Natural Oak XX50008120NSB
Wenge XX50008142NSB
Grey Ecru XX50008104NSB
Moseley Blue XX50008114NSB



Imperial Oval solid timber toilet seat supplied with soft-close chrome hinges

Gloss White XX50008110NSB
High Gloss Black XX500SS150SN

Note: Toilet seat hinges and lift handles can be ordered from the Spares Section at the rear of the brochure.

WINDSOR Toilet Seat Options

STANDARD CLOSE



Imperial Windsor solid timber toilet seat
supplied with a standard chrome hinge
(Made in the UK)

Natural Oak XT50000120
Wenge XT50000142

Imperial Windsor solid timber toilet seat
supplied with a standard Gold plated
hinge **(Made in the UK)**

Natural Oak XT50000220
Wenge XT50000242



Imperial Windsor toilet seat
supplied with a standard chrome hinge

Gloss White XT50000110

SOFT - CLOSE



Imperial Windsor solid timber toilet seat
supplied with soft-close chrome hinges
(Made in the UK)

Supplied with seat lid lift handle in the box

Natural Oak XT50000120NSB
Wenge XT50000142NSB
Grey Ecru XT50000104NSB
Moseley Blue XT50000114NSB



Imperial Windsor solid timber toilet seat
supplied with soft-close chrome hinges

Gloss White XT50000110NSB
High Gloss Black XT500SS150SN

Note: Toilet seat hinges and lift handles can be ordered from the Spares Section at the rear of the brochure.

Carlyon Basin Stands

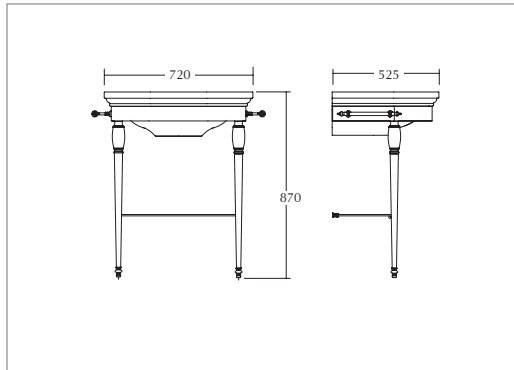
These classic basin stands with elegant legs and exposed waste are a wonderful way to indulge your love of period home styling. To support our Carlyon basin you can choose a stand finished in either chrome, antique gold or polished nickel.







CARLYON Basin Stands



Carlyon large basin - 720mm

(1 tap hole)

White CR1LB11030

(2 tap hole)

White CR1LB21030

(3 tap hole)

White CR1LB31030

Carlyon large basin stand with glass shelf

Chrome ZXBS3900100

Antique Gold ZXBS3900200

Polished Nickel ZXBS3900300



"P" trap basin

Chrome XO60160100

Antique Gold XO60160200

Polished Nickel XO60160300



"S" trap basin

Chrome XO60150100

Antique Gold XO60150200

Polished Nickel XO60150300



Traditional ¼ basin bottle trap

Chrome XO60130100N

Antique Gold XO60130200N

Polished Nickel XO60130300N



Simplicity and naturalness are
the truest marks of distinction.

- W. Somerset Maugham



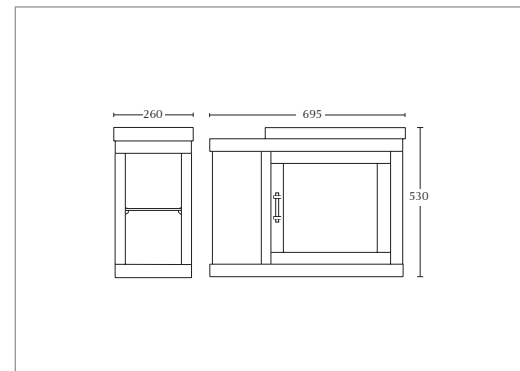
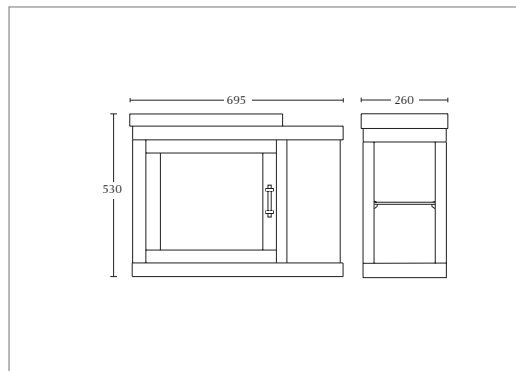
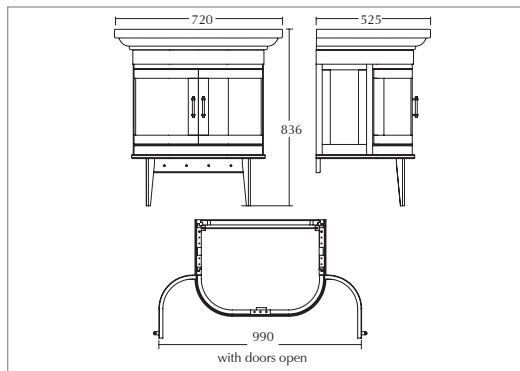
Carlyon Thurlestone Furniture

A striking alternative to the traditional ceramic pedestal or basin stand. Thurlestone collection comes in a range of fine solid wood finishes. We've also married proud tradition with the latest technology by introducing subtle refinements such as soft-close door hinges.





CARLYON Thurlestone Furniture



Carlyon large basin - 720mm

(1 tap hole)

White CR1LB11030

(2 tap hole)

White CR1LB21030

(3 tap hole)

White CR1LB31030

Carlyon Thurlestone wall-hung vanity unit

(Unit supplied also with front wooden legs)

Natural Oak XJ31100020

Wenge XJ31100042

White XJ31100010

Grey Ecru XJ31100004

Moseley Blue XJ31100014

Carlyon cloak vanity basin

(0 tap hole)

White CR1MC01030

(1 tap hole)

White CR1MC11030

Carlyon Thurlestone cloak offset vanity unit

Left hand option

Natural Oak XWMC140020

Wenge XWMC140042

White XWMC140010

Grey Ecru XWMC140004

Moseley Blue XWMC140014

Carlyon cloak vanity basin

(0 tap hole)

White CR1MC01030

(1 tap hole)

White CR1MC11030

Carlyon Thurlestone cloak offset vanity unit

Right hand option

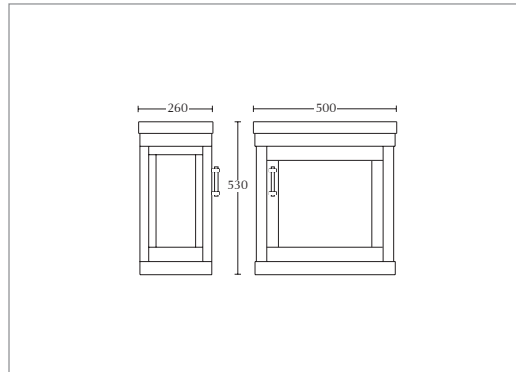
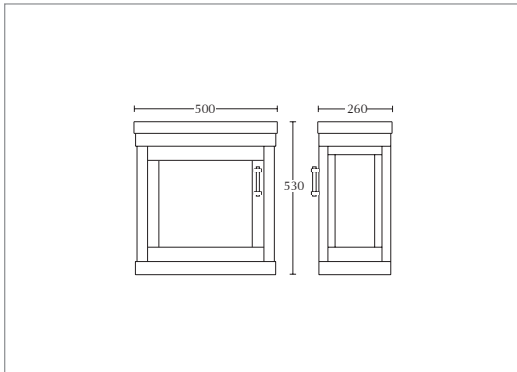
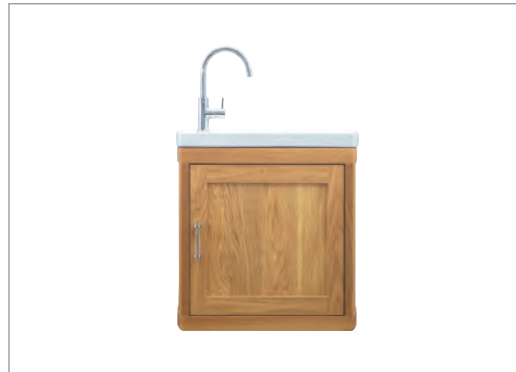
Natural Oak XWMC14R020

Wenge XWMC14R042

White XWMC14R010

Grey Ecru XWMC14R004

Moseley Blue XWMC14R014



Carlyon cloak vanity basin

(0 tap hole)

White CRIMC01030

(1 tap hole)

White CRIMC11030

Carlyon cloak vanity basin

(0 tap hole)

White CRIMC01030

(1 tap hole)

White CRIMC11030

Carlyon Thurlestone 1 door cloak vanity unit

Left hand option

Natural Oak XWMC130020

Wenge XWMC130042

White XWMC130010

Grey Ecru XWMC130004

Moseley Blue XWMC130014

Carlyon Thurlestone 1 door cloak vanity unit

Right hand option

Natural Oak XWMC13R020

Wenge XWMC13R042

White XWMC13R010

Grey Ecru XWMC13R004

Moseley Blue XWMC13R014



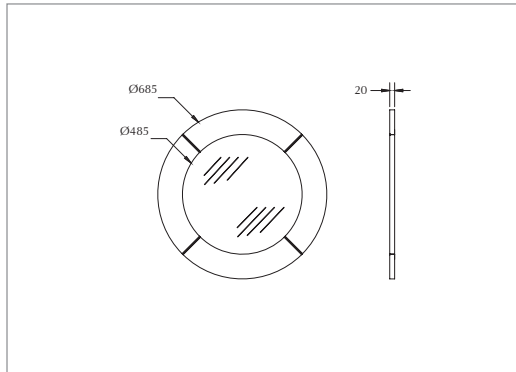
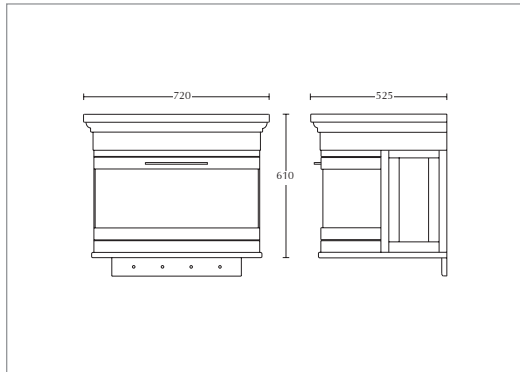
Carlyon Roseland Furniture

Roseland is another elegant expression of the Carlyon Collection's character. Closer inspection will reveal the further refinement of soft-close drawers.





CARLYON Roseland Furniture



Carlyon large basin - 720mm

(1 tap hole)

White CR1LB11030

(2 tap hole)

White CR1LB21030

(3 tap hole)

White CR1LB31030

Annabel luxury mirror

Natural Oak XP39030020

Wenge XP39030042

White XP39030010

Grey Ecru XP39030004

Moseley Blue XP39030014

Carlyon Roseland 2 drawer wall-hung vanity unit

Natural Oak XJ31500020

Wenge XJ31500042

White XJ31500010

Grey Ecru XJ31500004

Moseley Blue XJ31500014





IMPERIAL

THE RADCLIFFE COLLECTION

Combine our classic Radcliffe ceramic ware with your personal selection of co-ordinated basin stands and real wood furniture from this collection to create your own unique statement.

Ceramic Collection

60

Basin Stands

70

Thurlestone Furniture

74

Esteem Furniture

78

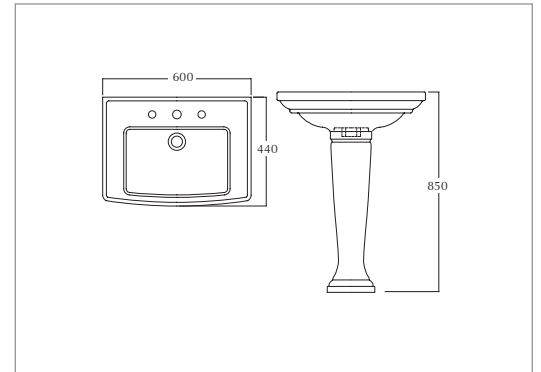
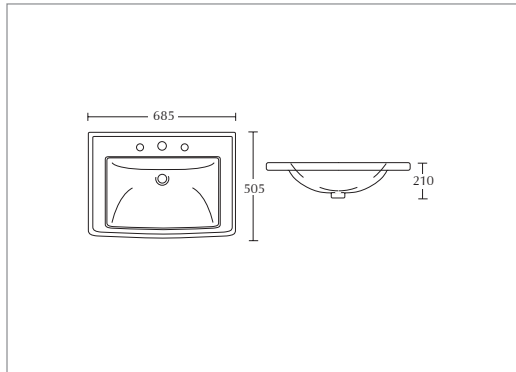
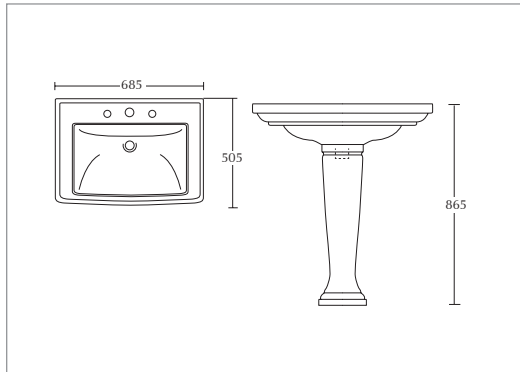
Radcliffe Ceramic Ware

With its confident lines that flow effortlessly from basin down into the pedestal, Radcliffe forms the distinctive heart of this wonderfully inspiring and varied collection.





RADCLIFFE



Radcliffe large basin - 685mm

(1 tap hole)

White RD1LB11030

(2 tap hole)

White RD1LB21030

(3 tap hole)

White RD1LB31030

Radcliffe pedestal

White RD1PE01000

Radcliffe vanity basin - 685mm

(For use with the basin stands or furniture vanity units)

(1 tap hole)

White RD1IB11030

(2 tap hole)

White RD1IB21030

(3 tap hole)

White RD1IB31030

Radcliffe medium basin - 600mm

(1 tap hole)

White RD1MB11030

(2 tap hole)

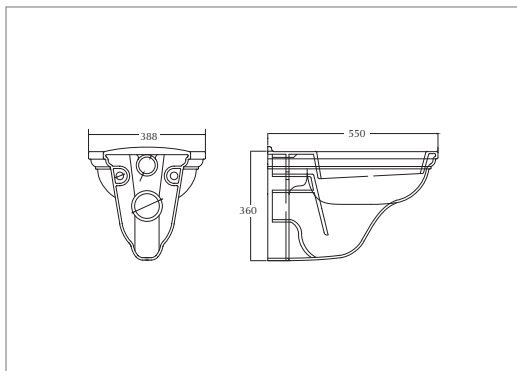
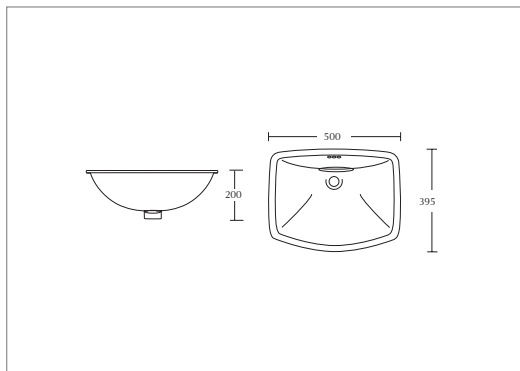
White RD1MB21030

(3 tap hole)

White RD1MB31030

Radcliffe pedestal

White RD1PE01000



Radcliffe under counter basin

White RD1US01030G

Radcliffe wall-hung pan

(supplied without fittings and supporting brackets)
(For use with the Oval seat)

White ZRD1WH01030

Concealed cistern & extended lever

White/Chrome ZXO12E00100

White/Antique Gold ZXO12E00200

White/Polished Nickel ZXO12E00300

Concealed cistern & push button

Chrome XC1200T100

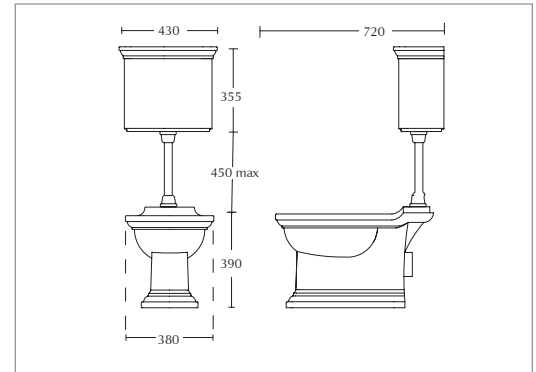
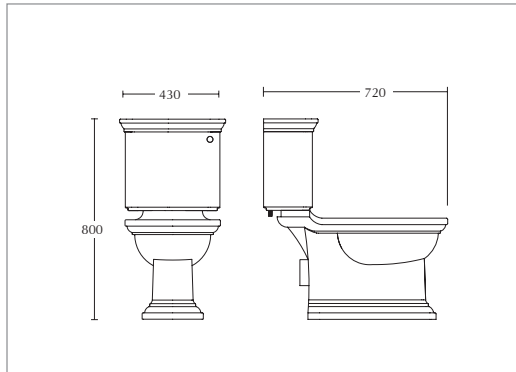
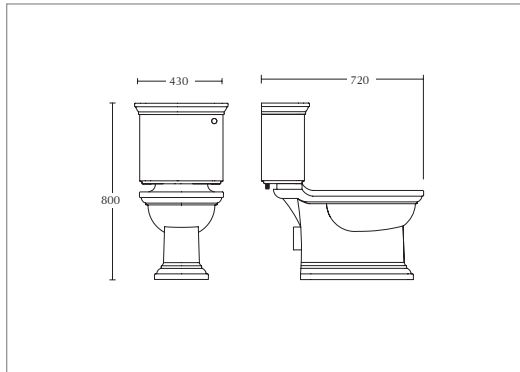


IMPERIAL





RADCLIFFE



Radcliffe close coupled P Trap pan and cistern with chrome fittings - Lever
(For use with Radcliffe seat)
(including all the components)
fittings

White/Chrome ZRDWCC1030C

Optional Extra - cistern handle lever only

White/Antique Gold XO12000200

White/Polished Nickel XO12000300

Radcliffe close coupled P Trap pan and cistern with chrome fittings - Push Button
(For use with Radcliffe seat)
(including all the components)
fittings

Chrome ZRD3WCC1030C

Optional Extra - push button only

Antique Gold XK99999955

Polished Nickel XK99999956

Radcliffe P Trap pan and low level cistern with chrome fittings - Lever
Ceramic coupling plate option
(For use with Radcliffe seat)
(including all the components)
fittings

White/Chrome ZRDWLC1030C

White/Antique Gold ZRDWLC1030I

White/Polished Nickel ZRDWLC1030N

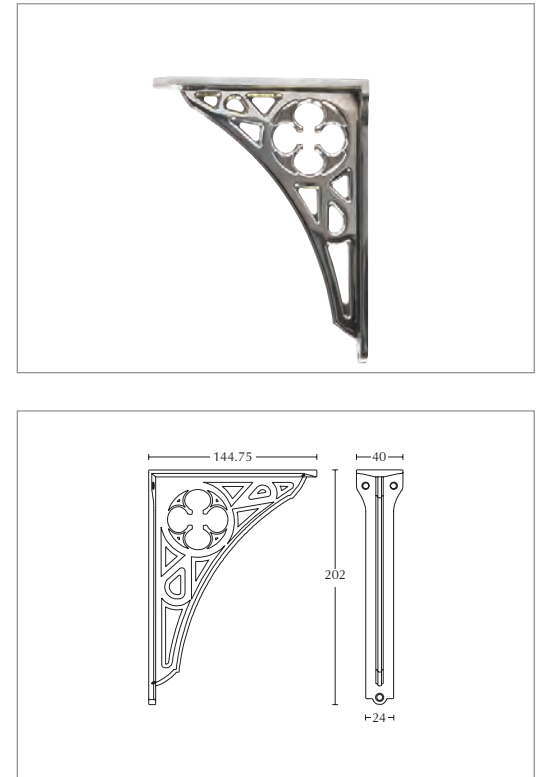
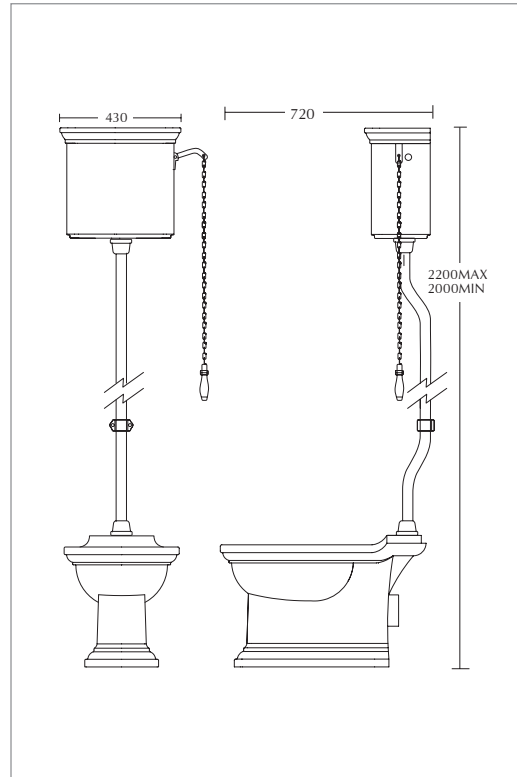
Radcliffe P Trap pan and low level cistern with chrome fittings - Lever
Metal coupling plate option
(For use with Radcliffe seat)
(including all the components)
fittings

White/Chrome ZRDWLC1030CB

White/Antique Gold ZRDWLC1030IB

White/Polished Nickel ZRDWLC1030NB

Note: Ceramic connectors and ceramic bend connectors can be ordered from the Spares Section at the rear of the brochure.



Radcliffe P Trap pan and high level cistern with chrome fittings - Lever

Ceramic coupling plate option

(For use with Radcliffe seat)

(Including all the components and ornate white high level cistern brackets)

fittings

White/Chrome	ZRDWHC1030C
White/Antique Gold	ZRDWHC1030I
White/Polished Nickel	ZRDWHC1030N

Radcliffe P Trap pan and low level cistern with chrome fittings - Lever

Metal coupling plate option

(For use with Radcliffe seat)

(Including all the components and ornate white high level cistern brackets)

fittings

White/Chrome	ZRDWHC1030CB
White/Antique Gold	ZRDWHC1030IB
White/Polished Nickel	ZRDWHC1030NB

Ideal for use with P Trap pan:

Ceramic connectors

236mm	
White	XZ18070020
330mm	
White	XZ18070010

Ceramic bend connector

White	XZ18070000
-------	------------

Plumber's mait - 750g

For use with ceramic connectors	PLUMB01
---------------------------------	---------

Ironbridge metal high level cistern brackets

(Pair)

Chrome	XO18000030C
Antique Gold	XO18000030I
Polished Nickel	XO18000030N

OVAL Toilet Seat Options

STANDARD CLOSE



Imperial Oval solid timber toilet seat supplied with a standard chrome hinge (Made in the UK)

Natural Oak XX50008120
Wenge XX50008142

Imperial Oval solid timber toilet seat supplied with a standard Gold plated hinge (Made in the UK)

Natural Oak XX50008220
Wenge XX50008242



Imperial Oval toilet seat supplied with a standard chrome hinge

Gloss White XX500SS110

SOFT - CLOSE



Imperial Oval solid timber toilet seat supplied with soft-close chrome hinges (Made in the UK)

Supplied with seat lid lift handle in the box

Natural Oak XX50008120NSB
Wenge XX50008142NSB
Grey Ecru XX50008104NSB
Moseley Blue XX50008114NSB



Imperial Oval solid timber toilet seat supplied with soft-close chrome hinges

Gloss White XX50008110NSB
High Gloss Black XX500SS150SN

Note: Toilet seat hinges and lift handles can be ordered from the Spares Section at the rear of the brochure.

RADCLIFFE Toilet Seat Options

STANDARD CLOSE



Imperial Radcliffe solid timber toilet seat
supplied with a standard chrome hinge
(Made in the UK)

Natural Oak XW50000120
Wenge XW50000142

Imperial Radcliffe solid timber toilet seat
supplied with a standard Gold plated
hinge **(Made in the UK)**

Natural Oak XW50000220
Wenge XW50000242



Imperial Radcliffe toilet seat
supplied with a standard chrome hinge

Gloss White XW50000110

SOFT - CLOSE



Imperial Radcliffe solid timber toilet seat
supplied with soft-close chrome hinges
(Made in the UK)

Supplied with seat lid lift handle in the box

Natural Oak XW50000120NSB
Wenge XW50000142NSB
Grey Ecu XW50000104NSB
Moseley Blue XW50000114NSB



Imperial Radcliffe solid timber toilet seat
supplied with soft-close chrome hinges

Gloss White XW50000110NSB
High Gloss Black XW500SS150SN

Note: Toilet seat hinges and lift handles can be ordered from the Spares Section at the rear of the brochure.





Radcliffe Basin Stands

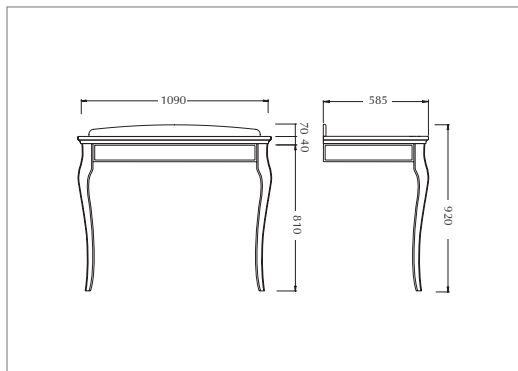
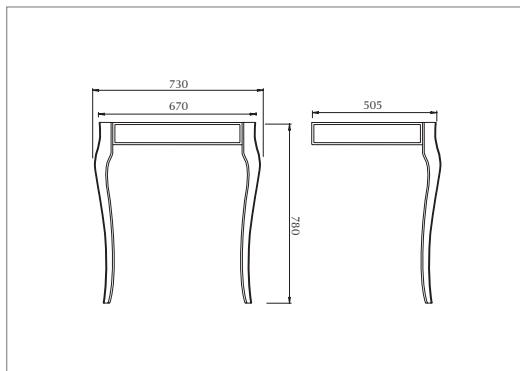
With Radcliffe you have many exciting styling options. You can mount a Radcliffe vanity basin on a traditional hand-crafted stand in range of sophisticated finishes (as shown here), or you can opt for a Radcliffe under-counter basin mounted within a period-style console with an opulent Carrara White composite top including matching splash back.

RADCLIFFE Basin Stands



"P" trap basin

Chrome	XO60160100
Antique Gold	XO60160200
Polished Nickel	XO60160300



"S" trap basin

Chrome	XO60150100
Antique Gold	XO60150200
Polished Nickel	XO60150300

Radcliffe vanity basin

(1 tap hole)

White RD1IB11030

(2 tap hole)

White RD1IB21030

(3 tap hole)

White RD1IB31030

Oban Carrara White composite top including splash back

(3 tap hole) ZXMA02103DA

Radcliffe under counter basin (glazed on outside)

White RD1US01030G

Oban console

(Available with a Carrara White composite top including splash back) The top can be manufactured with either a single or double basin option - please specify when ordering.

Leg & Trim

Chrome ZXBS1080100

Antique Gold ZXBS1080200

Polished Nickel ZXBS1080300

Oban basin stand

Leg & Trim

Chrome ZXBS1070100

Antique Gold ZXBS1070200

Polished Nickel ZXBS1070300



Traditional ¼ basin bottle trap

Chrome XO60130100N

Antique Gold XO60130200N

Polished Nickel XO60130300N





IMPERIAL

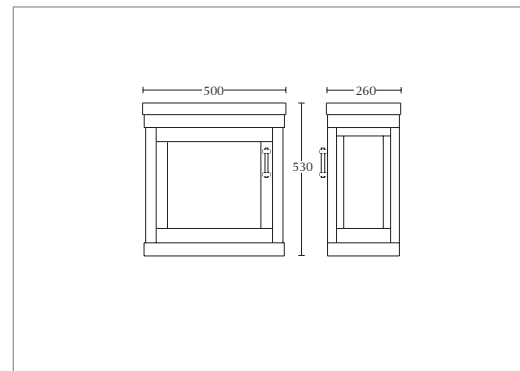
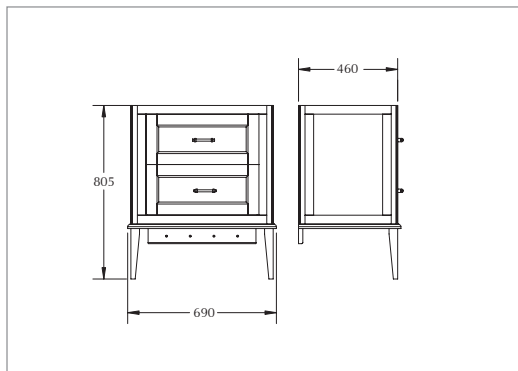
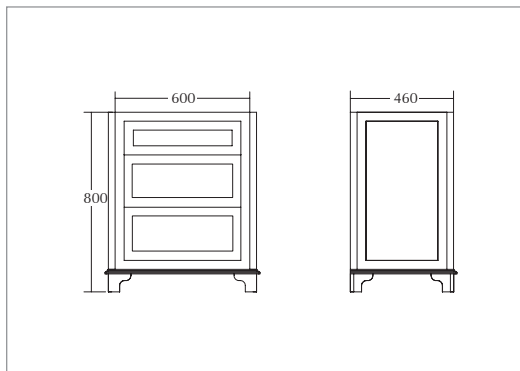
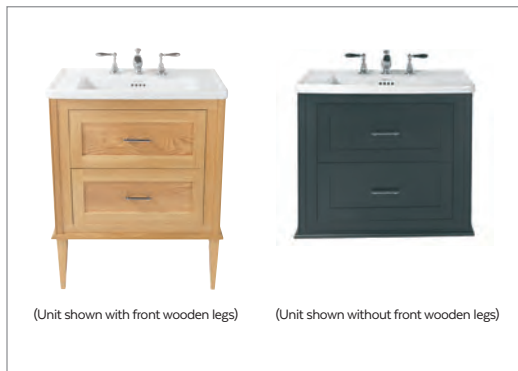




Radcliffe Thurlestone Furniture

This beautifully hand crafted range brings together the Radcliffe vanity basin with a wall-mounted or free standing units in solid wood with finishes including Wenge or Natural Oak and a choice of 3 hand-painted shades. You'll also find the refinement of soft-close doors.

RADCLIFFE Thurlestone Furniture



Radcliffe vanity basin

(1 tap hole)

White RD1IB11030

(2 tap hole)

White RD1IB21030

(3 tap hole)

White RD1IB31030

Radcliffe Thurlestone 2 drawer vanity unit

Natural Oak XWT0210020

Wenge XWT0210042

White XWT0210010

Grey Ecu XWT0210004

Moseley Blue XWT0210014

Radcliffe vanity basin

(1 tap hole)

White RD1IB11030

(2 tap hole)

White RD1IB21030

(3 tap hole)

White RD1IB31030

Radcliffe Thurlestone wall hung 2 drawer vanity unit

(Unit also supplied with front wooden legs)

Natural Oak XWT0230020

Wenge XWT0230042

White XWT0230010

Grey Ecu XWT0230004

Moseley Blue XWT0230014

Radcliffe cloak vanity basin

(0 tap hole)

White RD1MC01030

(1 tap hole)

White RD1MC11030

Thurlestone 1 door cloak vanity unit

Left hand option

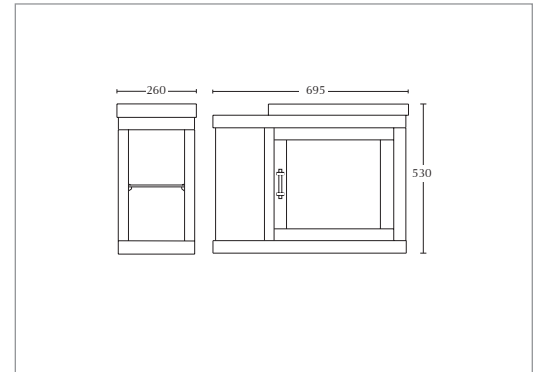
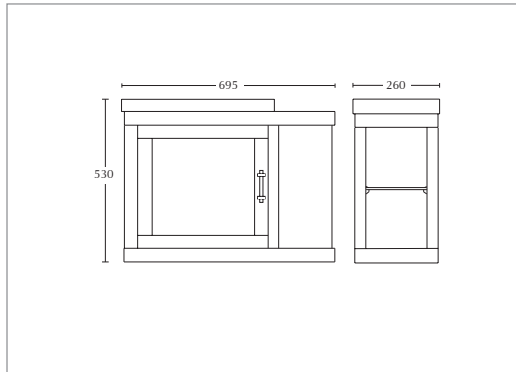
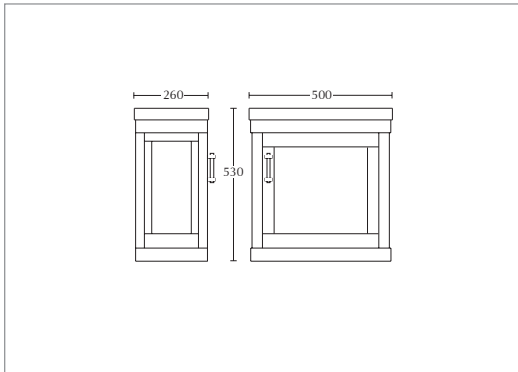
Natural Oak XWMC130020

Wenge XWMC130042

White XWMC130010

Grey Ecu XWMC130004

Moseley Blue XWMC130014



Radcliffe cloak vanity basin

(0 tap hole)

White RD1MC01030

(1 tap hole)

White RD1MC11030

Radcliffe cloak vanity basin

(0 tap hole)

White RD1MC01030

(1 tap hole)

White RD1MC11030

Radcliffe cloak vanity basin

(0 tap hole)

White RD1MC01030

(1 tap hole)

White RD1MC11030

Thurlestone 1 door cloak vanity unit

Right hand option

Natural Oak XWMC13R020

Wenge XWMC13R042

White XWMC13R010

Grey Ecu XWMC13R004

Moseley Blue XWMC13R014

Thurlestone Cloak offset cloak vanity unit

Left hand option

Natural Oak XWMC140020

Wenge XWMC140042

White XWMC140010

Grey Ecu XWMC140004

Moseley Blue XWMC140014

Thurlestone Cloak offset cloak vanity unit

Right hand option

Natural Oak XWMC14R020

Wenge XWMC14R042

White XWMC14R010

Grey Ecu XWMC14R004

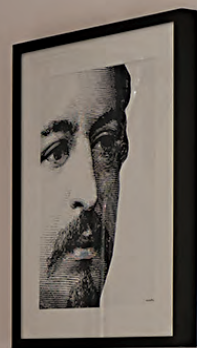
Moseley Blue XWMC14R014

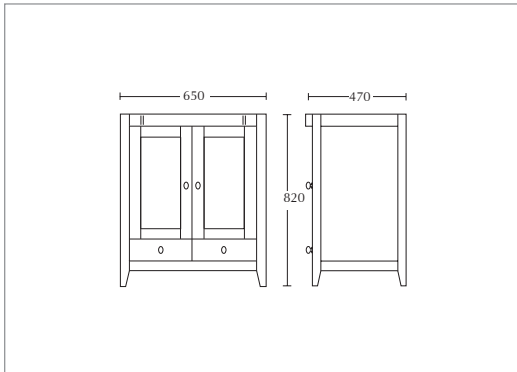
Radcliffe Esteem Furniture

A design that harks back to an age when, form followed function to produce a timeless simplicity in furniture. As always our craftspeople have executed these Imperial pieces in traditionally jointed solid woods with a choice of Natural Oak, Wenge or three hand-painted finishes.









Radcliffe vanity basin

(1 tap hole)

White RD1IB11030

(2 tap hole)

White RD1IB21030

(3 tap hole)

White RD1IB31030

**Radcliffe Esteem square vanity unit 2 wooden doors,
2 drawers**

Natural Oak XW31300020

Wenge XW31300042

White XW31300010

Grey Ecu XW31300004

Moseley Blue XW31300014





THE ASTORIA DECO COLLECTION

The designers of the 1920s left years of wartime austerity behind them with exuberant new forms and striking colour combinations. Our Astoria Deco Collection is the perfect starting point to create your own personal evocation of the Jazz Age.

Ceramic Collection

84

Basin Stands

96

Astoria Deco Ceramic Ware

Take the square forms and assertive geometric shapes of Astoria Deco as the starting point for your 1920s-inspired styling adventure with exclusive baths, brassware, accessories and mirrors by Imperial to complete the look.





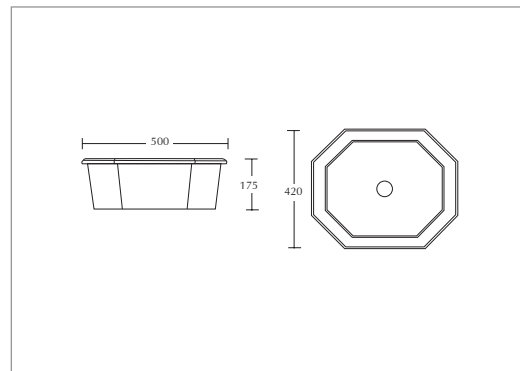
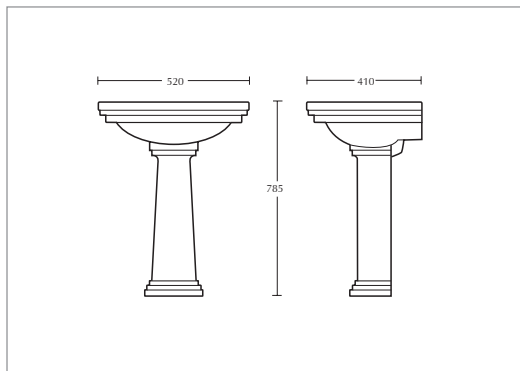
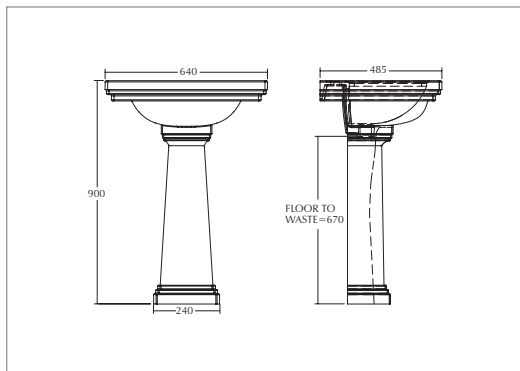




Quality is first engineered;
only then it is inspected

- J. R. D. Tata

ASTORIA DECO



Astoria Deco large basin - 640mm

(1 tap hole)

White AD1LB11030

(2 tap hole)

White AD1LB21030

(3 tap hole)

White AD1LB31030

Astoria Deco tall pedestal

White AD1PE01000T

Astoria Deco small basin - 520mm

(1 tap hole)

White AD1SB11030

(2 tap hole)

White AD1SB21030

(3 tap hole)

White AD1SB31030

Astoria Deco small pedestal

White AD2PE01000

Astoria Deco inset basin

(0 tap hole)

White AS11B01030

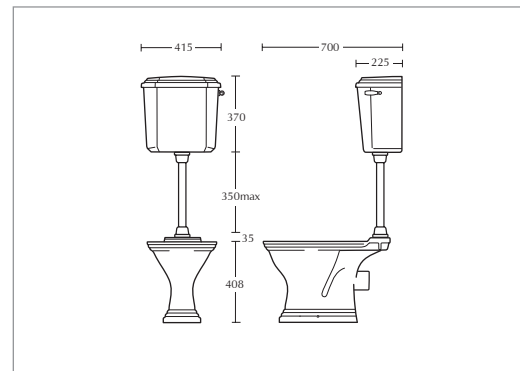
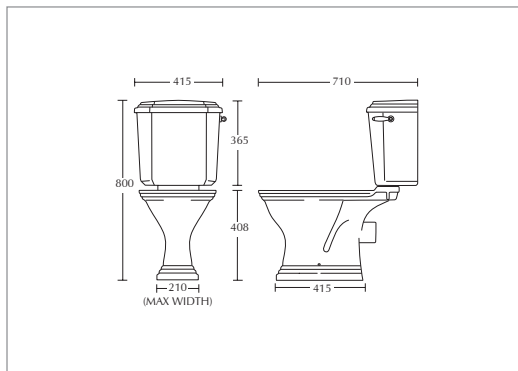
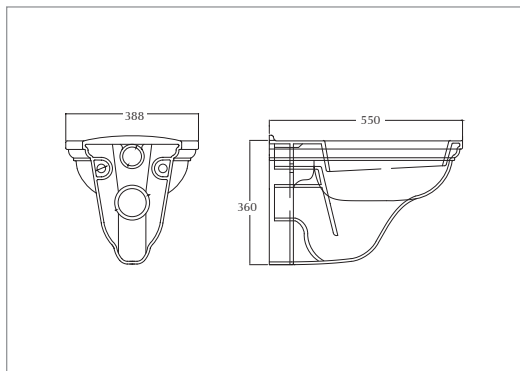




IMPERIAL



ASTORIA DECO



Astoria Deco wall-hung pan

(For use with the Oval seat)

(supplied without fittings and supporting brackets)

White ZAD1WH01030

Concealed cistern & extended lever

White/Chrome ZX012E00100

White/Antique Gold ZX012E00200

White/Polished Nickel ZX012E00300

Concealed cistern & push button

Chrome XC12001100

Astoria close coupled P Trap pan and cistern with chrome fittings - Lever

(For use with the Oval seat with the standard hinge and Windsor seat when soft-close hinge) (including all the components)

fittings

White/Chrome ZADWCC1030C

Optional Extra - cistern handle lever only

White/Antique Gold XO12000200

White/Polished Nickel XO12000300

Astoria Deco P Trap pan and low level cistern with chrome fittings - Lever

Ceramic coupling plate option

(For use with the Oval seat with the standard hinge and Windsor seat when soft-close hinge) (including all the components)

fittings

White/Chrome ZADWLC1030C

White/Antique Gold ZADWLC1030I

White/Polished Nickel ZADWLC1030N

Astoria Deco P Trap pan and low level cistern with chrome fittings - Lever

Metal coupling plate option

(Same seat configuration as above)

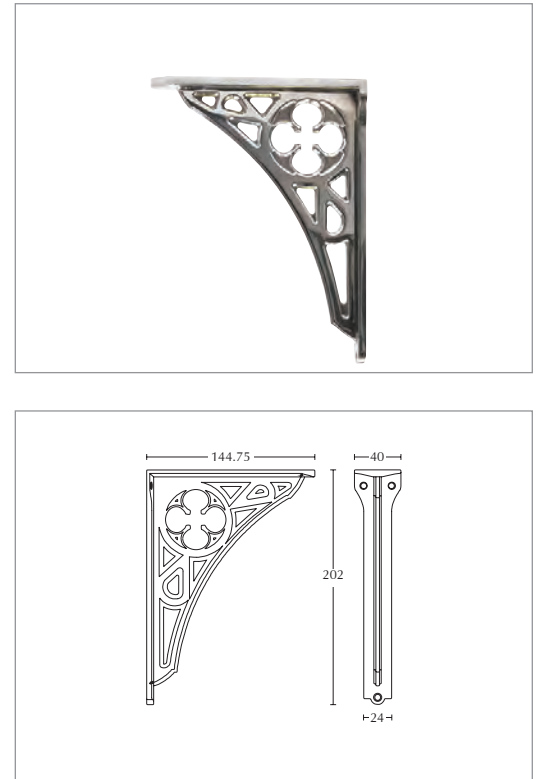
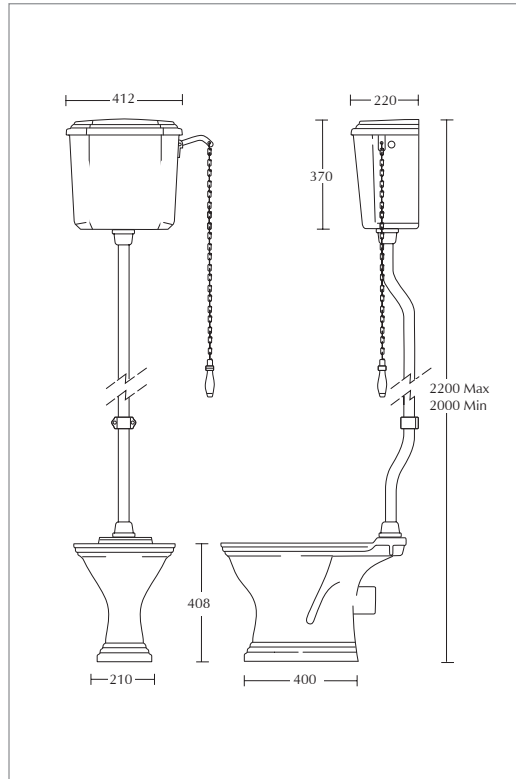
(including all the components)

fittings

White/Chrome ZADWLC1030CB

White/Antique Gold ZADWLC1030IB

White/Polished Nickel ZADWLC1030NB



Astoria Deco P Trap pan and high level cistern with chrome fittings - Lever

Ceramic coupling plate option

(For use with the Oval seat with the standard hinge and Windsor seat when soft-close hinge)

(Including all the components and ornate white high level cistern brackets)

fittings

White/Chrome	ZADWHC1030C
White/Antique Gold	ZADWHC1030I
White/Polished Nickel	ZADWHC1030N

Astoria Deco P Trap pan and low level cistern with chrome fittings - Lever

Metal coupling plate option

(Same seat configuration as listed above)

(Including all the components as listed above)

fittings

White/Chrome	ZADWHC1030CB
White/Antique Gold	ZADWHC1030IB
White/Polished Nickel	ZADWHC1030NB

Ideal for use with P Trap pan:

Ceramic connectors

236mm	
White	XZ18070020
330mm	
White	XZ18070010

Ceramic bend connector

White	XZ18070000
-------	------------

Plumber's mait - 750g

For use with ceramic connectors	PLUMB01
---------------------------------	---------

Ironbridge metal high level cistern brackets

(Pair)

Chrome	XO18000030C
Antique Gold	XO18000030I
Polished Nickel	XO18000030N

OVAL Toilet Seat Options

STANDARD CLOSE



Imperial Oval solid timber toilet seat supplied with a standard chrome hinge (Made in the UK)

Natural Oak XX50008120
Wenge XX50008142

Imperial Oval solid timber toilet seat supplied with a standard Gold plated hinge (Made in the UK)

Natural Oak XX50008220
Wenge XX50008242



Imperial Oval toilet seat supplied with a standard chrome hinge

Gloss White XX500SS110

SOFT - CLOSE



Imperial Oval solid timber toilet seat supplied with soft-close chrome hinges (Made in the UK)

Supplied with seat lid lift handle in the box

Natural Oak XX50008120NSB
Wenge XX50008142NSB
Grey Ecru XX50008104NSB
Moseley Blue XX50008114NSB



Imperial Oval solid timber toilet seat supplied with soft-close chrome hinges

Gloss White XX50008110NSB
High Gloss Black XX500SS150SN

Note: Toilet seat hinges and lift handles can be ordered from the Spares Section at the rear of the brochure.

WINDSOR Toilet Seat Options

STANDARD CLOSE



Imperial Windsor solid timber toilet seat
supplied with a standard chrome hinge
(Made in the UK)

Natural Oak XT50000120
Wenge XT50000142

Imperial Windsor solid timber toilet seat
supplied with a standard Gold plated
hinge **(Made in the UK)**

Natural Oak XT50000220
Wenge XT50000242



Imperial Windsor toilet seat
supplied with a standard chrome hinge

Gloss White XT50000110

SOFT - CLOSE



Imperial Windsor solid timber toilet seat
supplied with soft-close chrome hinges
(Made in the UK)

Supplied with seat lid lift handle in the box

Natural Oak XT50000120NSB
Wenge XT50000142NSB
Grey Ecru XT50000104NSB
Moseley Blue XT50000114NSB



Imperial Windsor solid timber toilet seat
supplied with soft-close chrome hinges

Gloss White XT50000110NSB
High Gloss Black XT500SS150SN

Note: Toilet seat hinges and lift handles can be ordered from the Spares Section at the rear of the brochure.





Astoria Deco Basin Stands

Nothing evokes a sense of period opulence more than these basin stands hand crafted in brass with a choice of timeless finishes. Shown here is the chrome option.

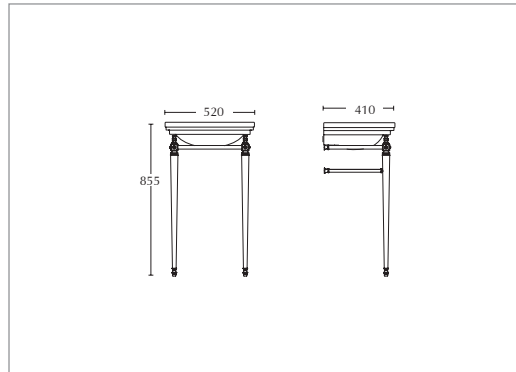
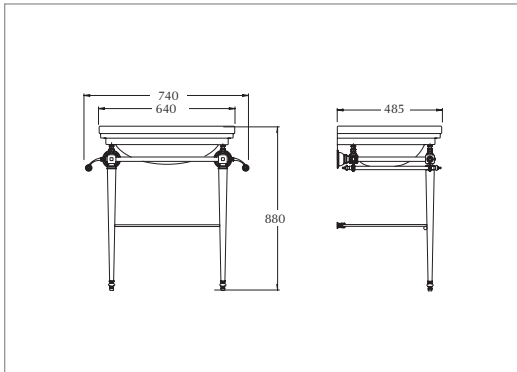


ASTORIA DECO Basin Stands



"P" trap basin

Chrome	XO60160100
Antique Gold	XO60160200
Polished Nickel	XO60160300



"S" trap basin

Chrome	XO60150100
Antique Gold	XO60150200
Polished Nickel	XO60150300

Astoria Deco large basin - 640mm

(1 tap hole)

White AD1LB11030

(2 tap hole)

White AD1LB21030

(3 tap hole)

White AD1LB31030

Astoria Deco small basin - 520mm

(1 tap hole)

White AD1SB11030

(2 tap hole)

White AD1SB21030

(3 tap hole)

White AD1SB31030

Astoria Deco large basin stand with glass shelf

Chrome ZXBS1020100

Antique Gold ZXBS1020200

Polished Nickel ZXBS1020300

Astoria Deco cloak basin stand with towel rack

Chrome ZXBS2400100

Antique Gold ZXBS2400200

Polished Nickel ZXBS2400300



Traditional 1/4 basin bottle trap

Chrome XO60130100N

Antique Gold XO60130200N

Polished Nickel XO60130300N



THE DRIFT COLLECTION

A highly distinctive collection that brings together our Drift ceramic ware in pure white with basin stands specially selected to complete the look.

Ceramic Collection

102

Basin Stands

116

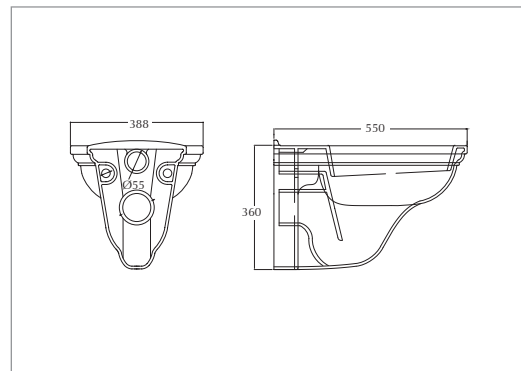
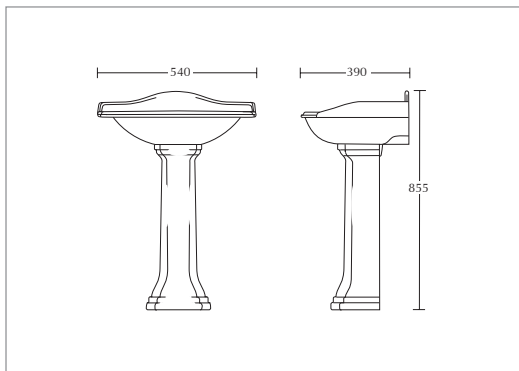
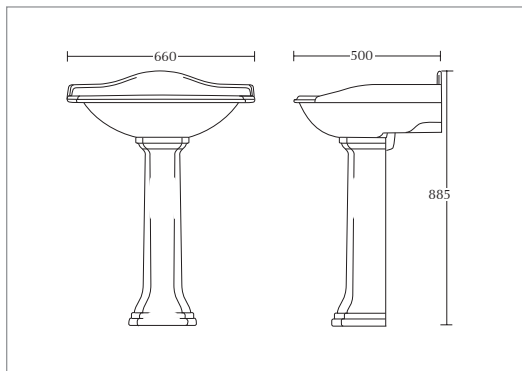
Drift Ceramic Ware

A true classically-inspired design with elegant raised upstand and gentle contoured lines.





DRIFT



Drift large basin - 660mm

(1 tap hole)

White DR1LB11030

(2 tap hole)

White DR1LB21030

(3 tap hole)

White DR1LB31030

Drift pedestal

White DR1PE01000

Drift small basin - 540mm

(1 tap hole)

White DR1SB11030

(2 tap hole)

White DR1SB21030

(3 tap hole)

White DR1SB31030

Drift pedestal

White DR1PE01000

Drift wall-hung pan

(supplied without fittings and supporting brackets)
(For use with the Oval seat)

White ZDR1WH01030

Concealed cistern & extended lever

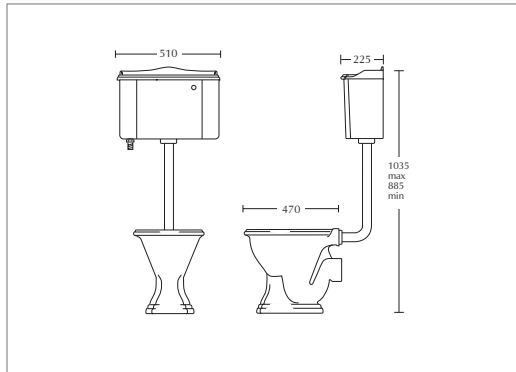
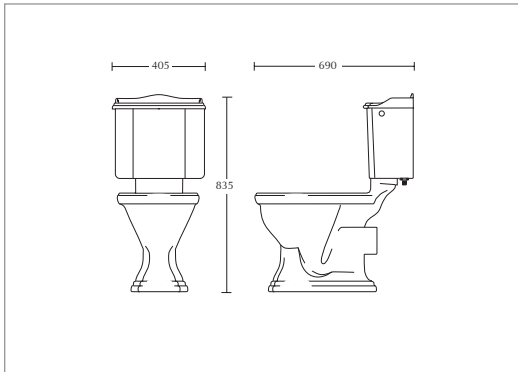
White/Chrome ZX012E00100

White/Antique Gold ZX012E00200

White/Polished Nickel ZX012E00300

Concealed cistern & push button

Chrome XC12001100



Drift close coupled P Trap pan and cistern with chrome fittings - Lever

(For use with Windsor seat)
(including all the components)

fittings

White/Chrome ZDRWCC1030C

Drift close coupled S Trap pan and cistern with chrome fittings - Lever

(For use with Windsor seat)
(including all the components)

fittings

White/Chrome ZDR3WCC1030C

P Trap pan and low level cistern with chrome fittings - Lever

(For use with Drift seat)
(including all the components)

fittings

White/Chrome ZDRWLC1030C

White/Antique Gold ZDRWLC1030I

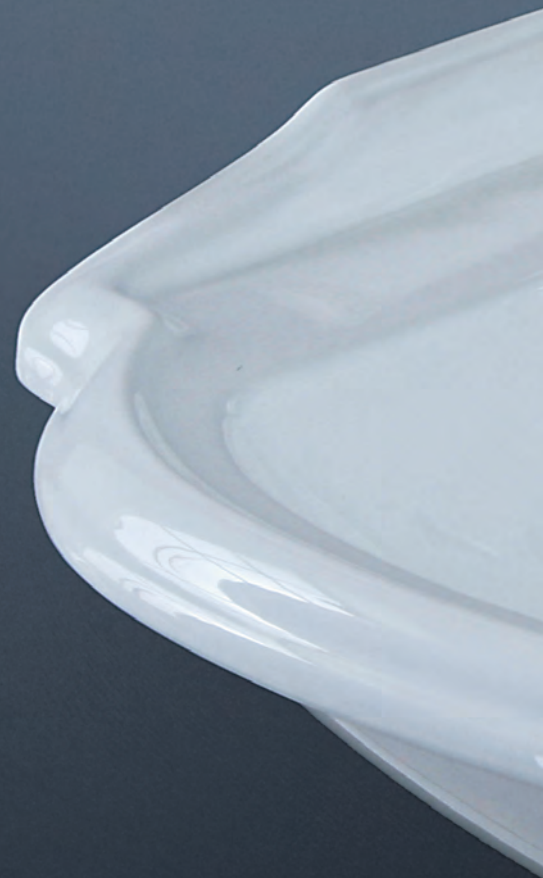
White/Polished Nickel ZDRWLC1030N

Optional Extra - cistern handle lever only

White/Antique Gold XO12000200

White/Polished Nickel XO12000300

Note: Ceramic connectors and ceramic bend connectors can be ordered from the Spares Section at the rear of the brochure.





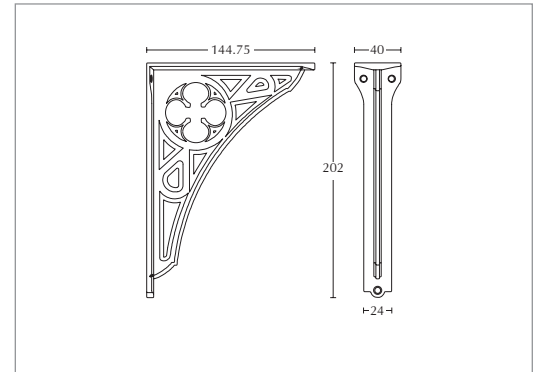
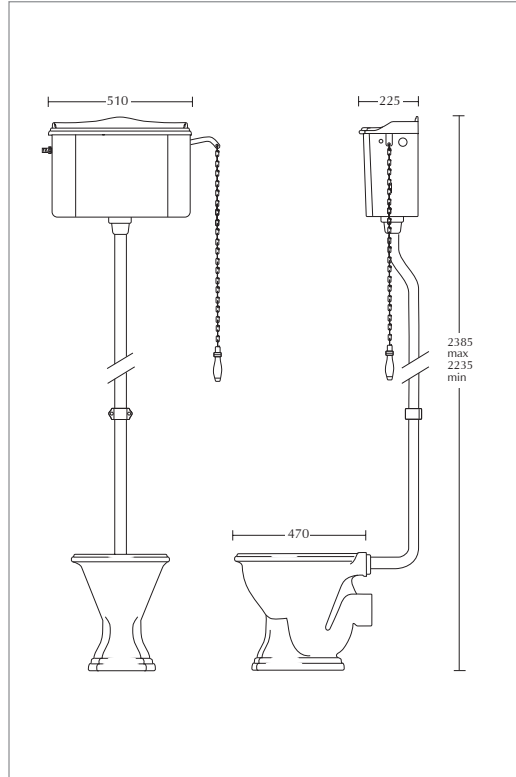
IMPERIAL



Clay is moulded to make
a vessel, but the utility of
the vessel lies in the space
where there is nothing.
**Thus, taking advantage
of what is, we recognize
the utility of what is not.**

- Laozi





Drift P Trap pan and high level cistern with chrome fittings - Lever

(For use with Drift seat)

(Including all the components and ornate white high level cistern brackets)

fittings

White/Chrome	ZDRWHC1030C
White/Antique Gold	ZDRWHC1030I
White/Polished Nickel	ZDRWHC1030N

Ideal for use with P Trap pan:

Ceramic connectors

236mm

White XZ18070020

330mm

White XZ18070010

Ceramic bend connector

White XZ18070000

Plumber's mait - 750g

For use with
ceramic connectors PLUMB01

Ironbridge metal high level cistern brackets

(Pair)

Chrome	XO18000030C
Antique Gold	XO18000030I
Polished Nickel	XO18000030N

OVAL Toilet Seat Options

STANDARD CLOSE



Imperial Oval solid timber toilet seat supplied with a standard chrome hinge (Made in the UK)

Natural Oak XX50008120
Wenge XX50008142

Imperial Oval solid timber toilet seat supplied with a standard Gold plated hinge (Made in the UK)

Natural Oak XX50008220
Wenge XX50008242



Imperial Oval toilet seat supplied with a standard chrome hinge

Gloss White XX500SS110

SOFT - CLOSE



Imperial Oval solid timber toilet seat supplied with soft-close chrome hinges (Made in the UK)

Supplied with seat lid lift handle in the box

Natural Oak XX50008120NSB
Wenge XX50008142NSB
Grey Ecru XX50008104NSB
Moseley Blue XX50008114NSB



Imperial Oval solid timber toilet seat supplied with soft-close chrome hinges

Gloss White XX50008110NSB
High Gloss Black XX500SS150SN

Note: Toilet seat hinges and lift handles can be ordered from the Spares Section at the rear of the brochure.

WINDSOR Toilet Seat Options

STANDARD CLOSE



Imperial Windsor solid timber toilet seat supplied with a standard chrome hinge (Made in the UK)

Natural Oak XT50000120
Wenge XT50000142

Imperial Windsor solid timber toilet seat supplied with a standard Gold plated hinge (Made in the UK)

Natural Oak XT50000220
Wenge XT50000242



Imperial Windsor toilet seat supplied with a standard chrome hinge

Gloss White XT50000110

SOFT - CLOSE



Imperial Windsor solid timber toilet seat supplied with soft-close chrome hinges (Made in the UK)

Supplied with seat lid lift handle in the box

Natural Oak XT50000120NSB
Wenge XT50000142NSB
Grey Ecru XT50000104NSB
Moseley Blue XT50000114NSB



Imperial Windsor solid timber toilet seat supplied with soft-close chrome hinges

Gloss White XT50000110NSB
High Gloss Black XT500SS150SN

Note: Toilet seat hinges and lift handles can be ordered from the Spares Section at the rear of the brochure.

DRIFT Toilet Seat Options

STANDARD CLOSE



Imperial Drift solid timber toilet seat supplied with a standard chrome hinge (Made in the UK)

Natural Oak XD50000120
Wenge XD50000142

Imperial Drift solid timber toilet seat supplied with a standard Gold plated hinge (Made in the UK)

Natural Oak XD50000220
Wenge XD50000242



Imperial Drift toilet seat supplied with a standard chrome hinge

Gloss White XD500SS110

SOFT - CLOSE



Imperial Drift solid timber toilet seat supplied with soft-close chrome hinges (Made in the UK)

Supplied with seat lid lift handle in the box

Natural Oak XD50000120NSB
Wenge XD50000142NSB
Grey Ecru XD50000104NSB
Moseley Blue XD50000114NSB



Imperial Drift solid timber toilet seat supplied with soft-close chrome hinges

Gloss White XD50000110NSB
High Gloss Black XD500SS150SN

Note: Toilet seat hinges and lift handles can be ordered from the Spares Section at the rear of the brochure.



Simplicity is the ultimate
sophistication.

- Leonardo da Vinci







IMPERIAL

IMPERIAL

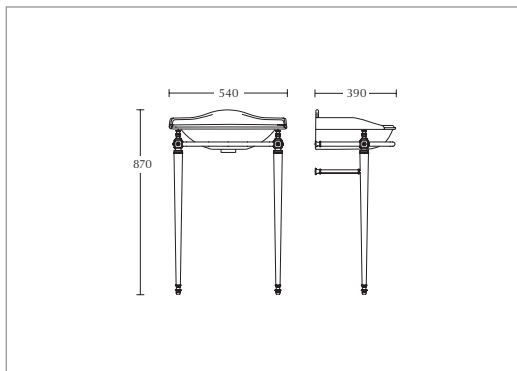
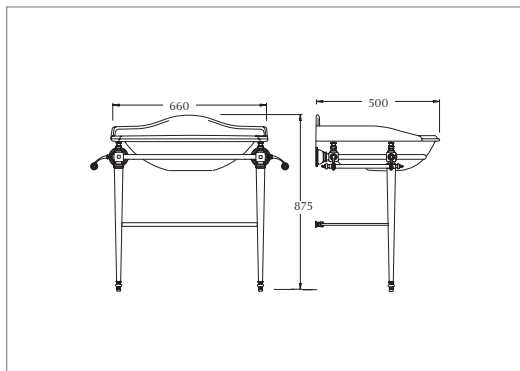
Cocoa Butter



Drift Basin Stands

Choose a Drift basin in either the small or large size and you can opt for an elegant chrome basin stand as an alternative to the traditional pedestal.

DRIFT Basin Stands



Drift large basin - 660mm

(1 tap hole)

White DR1LB11030V

(2 tap hole)

White DR1LB21030V

(3 tap hole)

White DR1LB31030V

Drift basin stand with glass shelf

Chrome ZXBS1030100

Antique Gold ZXBS1030200

Polished Nickel ZXBS1030300

Drift small basin - 540mm

(1 tap hole)

White DR1SB11030

(2 tap hole)

White DR1SB21030

(3 tap hole)

White DR1SB31030

Drift cloak basin stand with towel rail

Chrome ZXBS2300100

Antique Gold ZXBS2300200

Polished Nickel ZXBS2300300

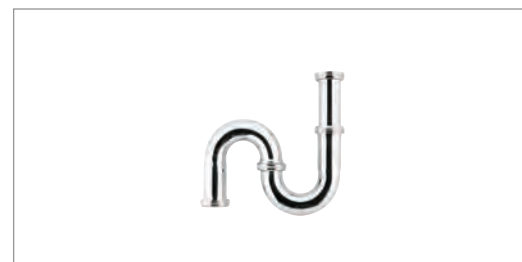


"P" trap basin

Chrome XO60160100

Antique Gold XO60160200

Polished Nickel XO60160300



"S" trap basin

Chrome XO60150100

Antique Gold XO60150200

Polished Nickel XO60150300



Traditional 1/4 basin bottle trap

Chrome XO60130100N

Antique Gold XO60130200N

Polished Nickel XO60130300N







THE BATHING COLLECTION

We are delighted to bring you this extensive collection of baths in a wide variety of styles, designs, finishes and options. If your new bathroom deserves a new tub, you are sure to be able to find the perfect solution in the following pages. Invest in an Imperial bath - bathe yourself in luxury!

The Windsor Baths Collection

124

Cast Iron Baths

132



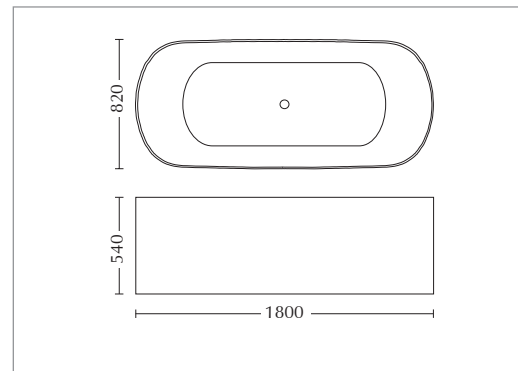
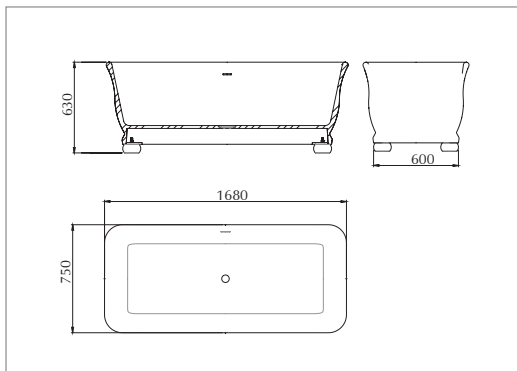
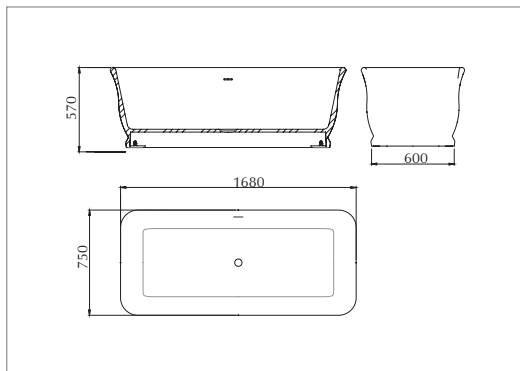
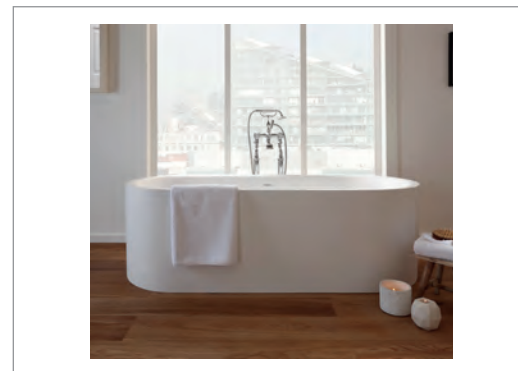
The Windsor Baths Collection

This collection of free standing baths is instantly recognisable by its delightfully contoured forms and crisply moulded detailing. Beneath the beauty is the very latest production technology. Cian® Solid Surfacing is a unique blend of advanced resins and minerals with a matt finish that will stay as flawless as the day it first graced your home.





THE WINDSOR BATHS



Mortlake bath*

(0 tap holes)

XN20000410

Putney bath*

(0 tap holes)

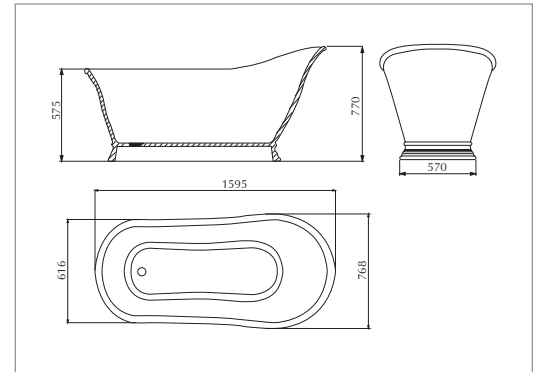
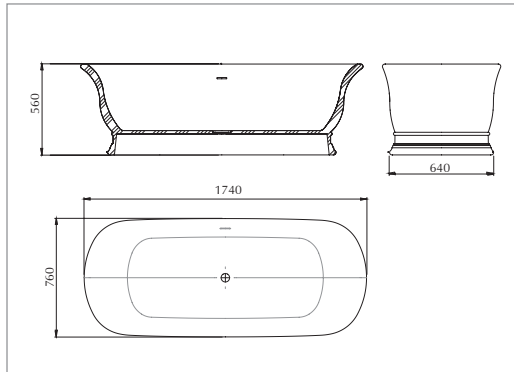
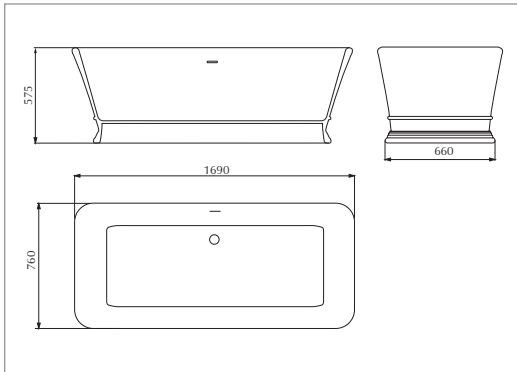
ZXN10000410

Lady Margaret bath*

(0 tap holes)

XN10100410

THE WINDSOR BATHS



Kew bath*

(0 tap holes)

XN30000410

Marlow bath*

(0 tap holes)

XN10000410

Hampton bath*

(0 tap holes)

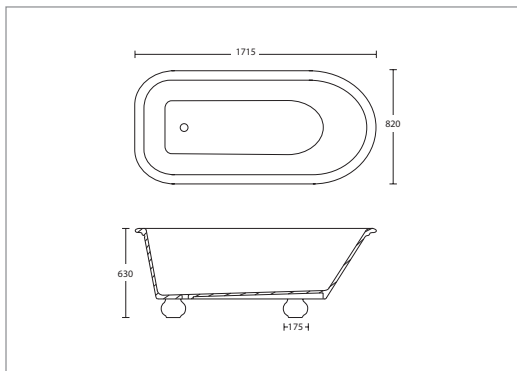
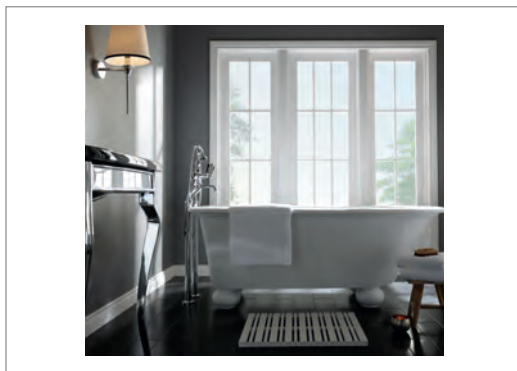
XN40000410

*Supplied as standard a Chrome clicker waste, waste trap and flexible connector pipe. Also available is the Clicker waste in Antique Gold or Polished Nickel.
For further technical information go to: www.imperialbathroom.com; Technical drawings are subject to change and therefore they are for guideline purpose only.





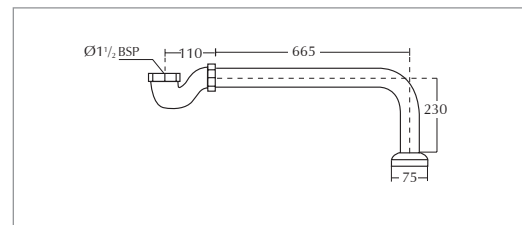
THE WINDSOR BATHS



Stanlake Bath*
supplied with ball feet

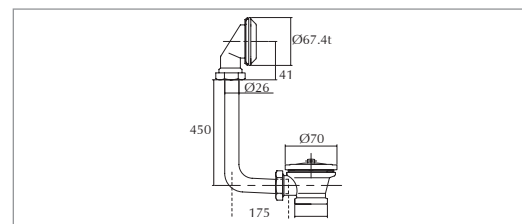
(0 tap holes)
White Ball Feet ZXN60200410

For the Stanlake Bath please use:
Roll top S trap low trap seal
XS68000100S



Roll top S trap low seal

Chrome XS68000100
Antique Gold XS68000200
Polished Nickel XS68000300



Exposed bath waste

Chrome XS67000300N
Antique Gold XS67000400N
Polished Nickel XS67000500N



Cast Iron Baths Collection

Our luxury collection takes the appeal of the traditional cast iron bath to a whole new level. Each design is individually hand-crafted, offering a range of styles with complementing foot options in a choice of finishes.







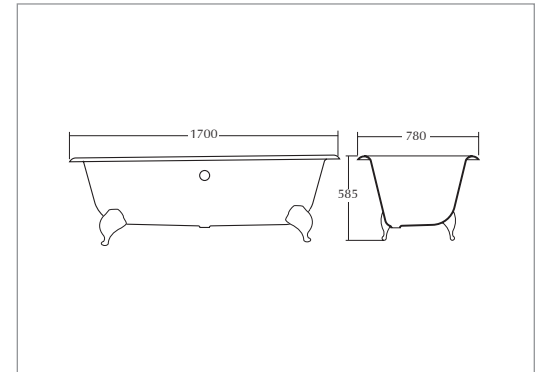
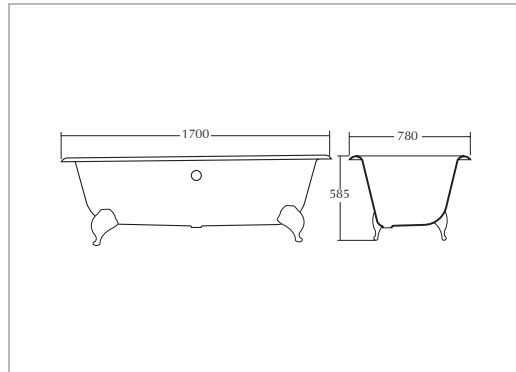
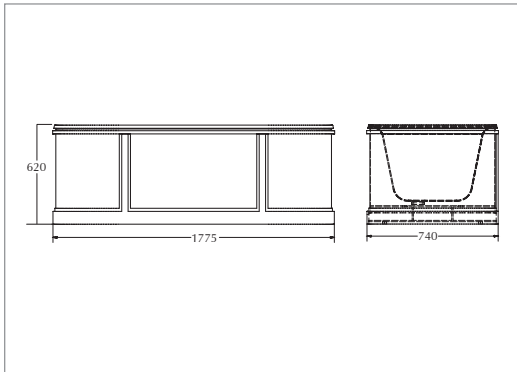
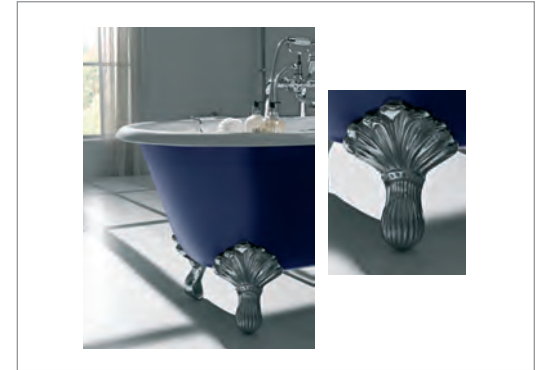


A hot bath! How exquisite
a vespertine pleasure, how
luxurious, fervid and flagrant
**a consolation for the
rigours, the austerities, the
renunciations of the day.**

- Rose Macaulay



CAST IRON BATHS



King Charles bath

(0 tap holes)

Grey Primer C1000110

The bath is supplied in grey primer paint all ready for painting
Images shown in this catalogue have been painted prior to photography

Bentley double ended bath

(Supplied with Imperial feet)

(0 tap holes)

Foot colour options

Primed Cast Iron	ZC1000003S
White	ZC1000003W
Chrome	ZC1000003CP
Antique Gold	ZC1000003I

(2 tap holes)

Foot colour options

Primed Cast Iron	ZC1000023S
White	ZC1000023W
Chrome	ZC1000023CP
Antique Gold	ZC1000023I

Bentley double ended bath

(Supplied with Swan feet)

(0 tap holes)

Foot colour options

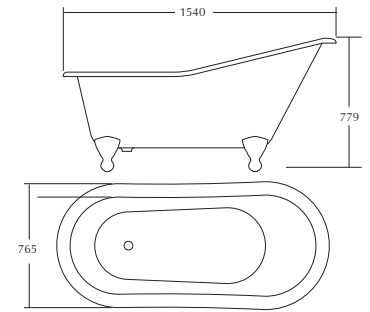
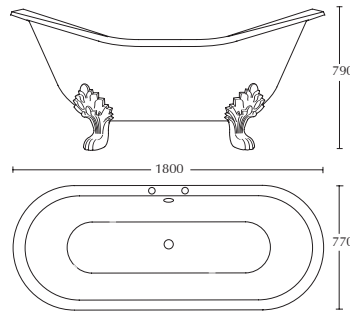
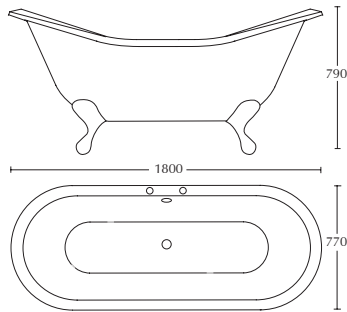
Primed Cast Iron	ZC1000203S
White	ZC1000203W
Chrome	ZC1000203C
Antique Gold	ZC1000203I

(2 tap holes)

Foot colour options

Primed Cast Iron	ZC1000403S
White	ZC1000403W
Chrome	ZC1000403C
Antique Gold	ZC1000403I

CAST IRON BATHS



Sheraton double ended slipper bath
(Supplied with Ball G+H feet)

(0 tap holes)

Foot colour options

Primed Cast Iron	ZCI000104S
White	ZCI000104W
Chrome	ZCI000104CP
Antique Gold	ZCI000104I

(2 tap holes)

Foot colour options

Primed Cast Iron	ZCI000124S
White	ZCI000124W
Chrome	ZCI000124CP
Antique Gold	ZCI000124I

Sheraton double ended slipper bath
(Supplied with Lion foot)

(0 tap holes)

Foot colour options

Primed Cast Iron	ZCI000004S
White	ZCI000004W
Chrome	ZCI000004CP
Antique Gold	ZCI000004I

(2 tap holes)

Foot colour options

Primed Cast Iron	ZCI000024S
White	ZCI000024W
Chrome	ZCI000024CP
Antique Gold	ZCI000024I

Ritz slipper bath - 1540
(Supplied with Imperial feet)

(0 tap holes)

Foot colour options

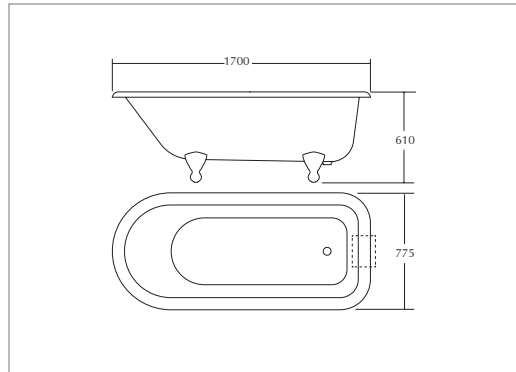
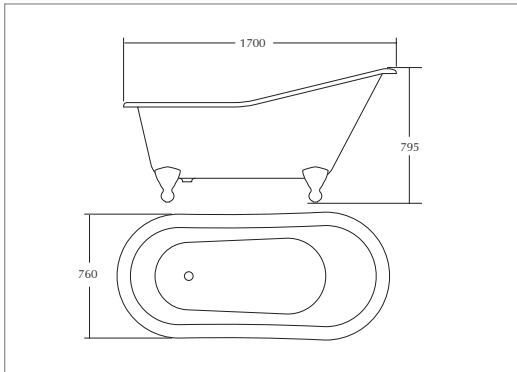
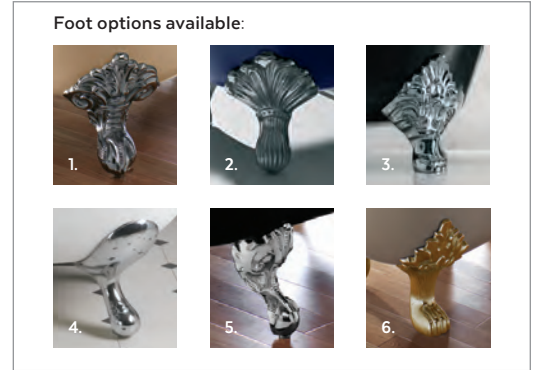
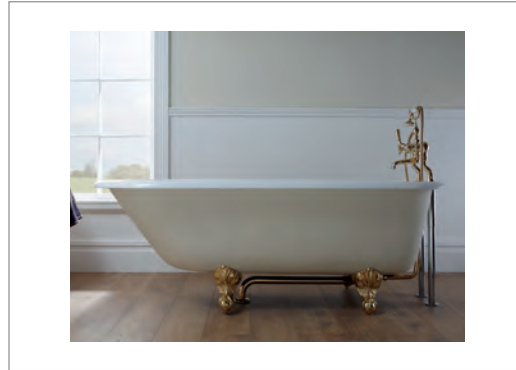
Primed Cast Iron	ZCI000102S
White	ZCI000102W
Chrome	ZCI000102CP
Antique Gold	ZCI000102I

(2 tap holes)

Foot colour options

Primed Cast Iron	ZCI000122S
White	ZCI000122W
Chrome	ZCI000122CP
Antique Gold	ZCI000122I

CAST IRON BATHS



Ritz slipper bath - 1700

(Supplied with Imperial feet)

(0 tap holes)

Foot colour options

Primed Cast Iron	ZCI000002S
White	ZCI000002W
Chrome	ZCI000002CP
Antique Gold	ZCI000002I

(2 tap holes)

Foot colour options

Primed Cast Iron	ZCI000022S
White	ZCI000022W
Chrome	ZCI000022CP
Antique Gold	ZCI000022I

Waldorf single ended bath

(Supplied with Ball & Claw feet)

(0 tap holes)

Foot colour options

Primed Cast Iron	ZCI000001S
White	ZCI000001W
Chrome	ZCI000001CP
Antique Gold	ZCI000001I

(2 tap holes)

Foot colour options

Primed Cast Iron	ZCI000021S
White	ZCI000021W
Chrome	ZCI000021CP
Antique Gold	ZCI000021I

IMPORTANT: ALL BATHS ARE SUPPLIED WITH A GREY PRIMER AND NOT PAINTED

Foot options available:

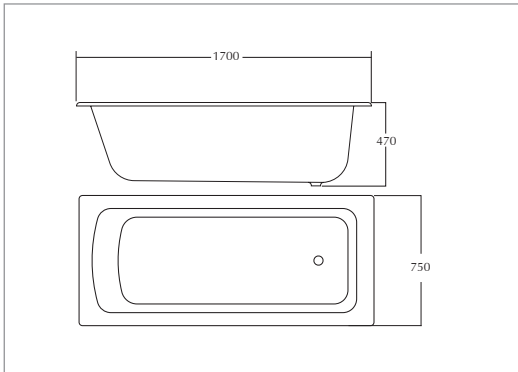
1. Imperial foot
2. Swan foot
3. Roseland foot
4. Ball G+H foot
5. Ball & Claw foot
6. Lion foot

Foot colour options available:

1. Primed cast iron
2. White
3. Chrome
4. Antique Gold

IMPORTANT: Primed cast iron feet are supplied in a grey primer finish. Image shown has been painted with black paint.

CAST IRON BATHS



Harrington single ended cast iron bath (for use with Imperial bath panels)

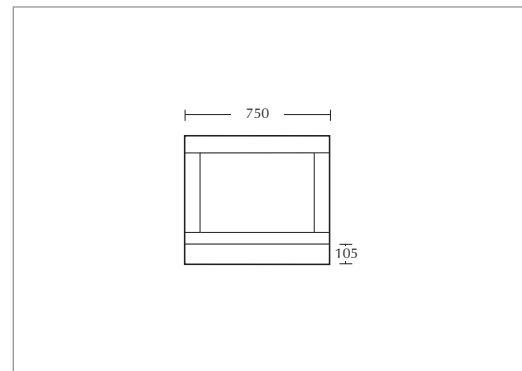
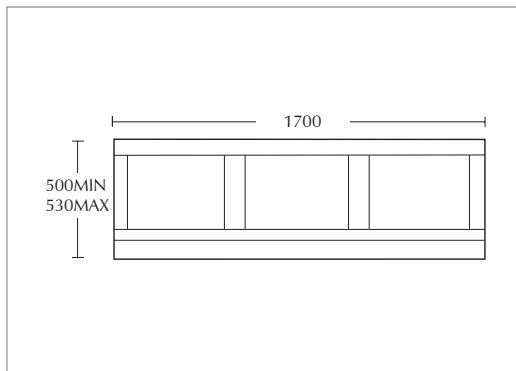
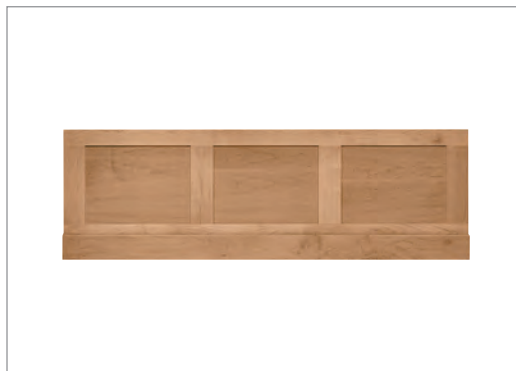
(0 tap holes) ZCI000010

(2 tap holes) ZCI000110

Tidy plug standard bath waste with plug and chain For use with acrylic baths and Harrington bath

Chrome XO60140100N





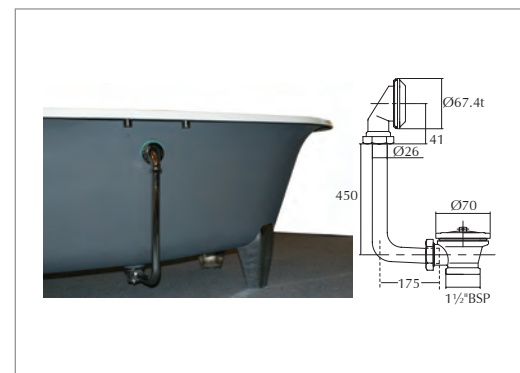
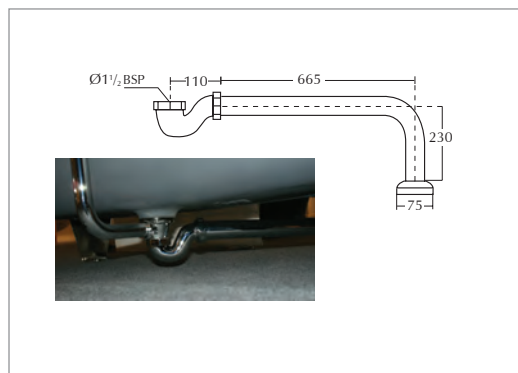
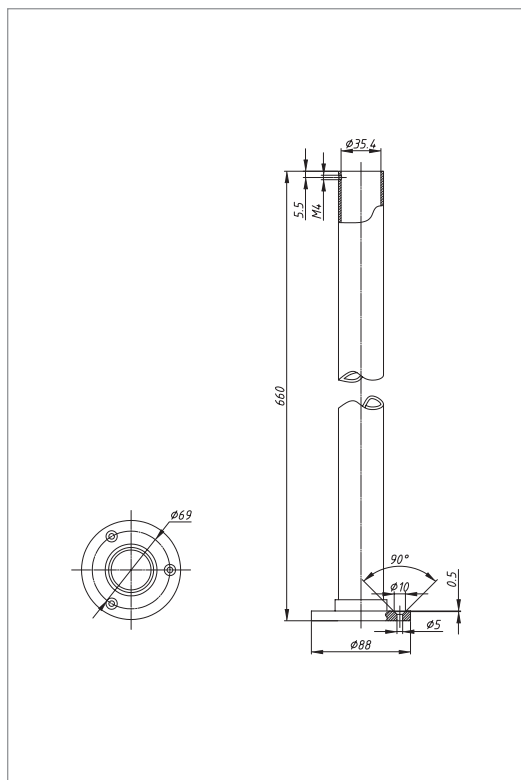
Thurlestone bath front panel 1700mm

Natural Oak	XG44000020
Wenge	XG44000042
White	XG44000010
Grey Ecu	XG44000004
Moseley Blue	XG44000014

Thurlestone bath end panel 750mm

Natural Oak	XG44200020
Wenge	XG44200042
White	XG44200010
Grey Ecu	XG44200004
Moseley Blue	XG44200014





Traditional stand pipes

NB: Traditional stand pipes for use with the following brassware: Victorian, Westminster, Radcliffe

Chrome	ZXS68000700
Antique Gold	ZXS68000800
Polished Nickel	ZXS68000900

Roll top S trap low seal

Chrome	XS68000100
Antique Gold	XS68000200
Polished Nickel	XS68000300

Exposed bath waste

Chrome	XS67000300N
Antique Gold	XS67000400N
Polished Nickel	XS67000500N

Roll-top bath shroud

(For use when taps are mounted on the top of the Bath - Hiding water pipes)

Chrome	XS68000600
Antique Gold	XS68000500
Polished Nickel	XS68000400



IMPERIAL

THE BRASSWARE COLLECTION

Contemporary or unashamedly classical?
Your choice of brassware will help you
to stamp your own individual personality
on your fabulous new bathroom.

Radcliffe

146

Westminster

150

Victorian

154

RADCLIFFE COLLECTION



White Ceramic
Lever

Black Ceramic
Lever



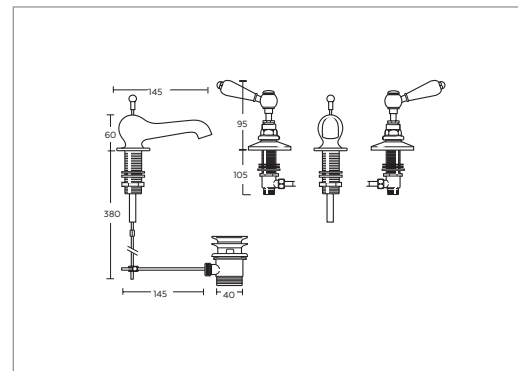
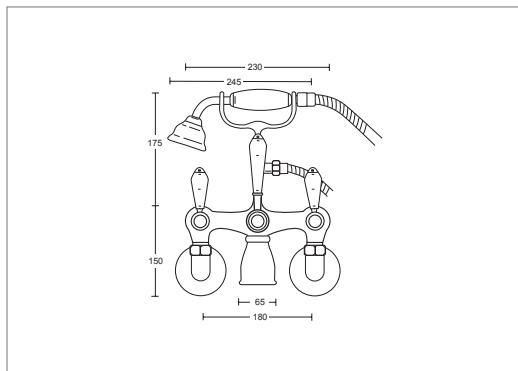
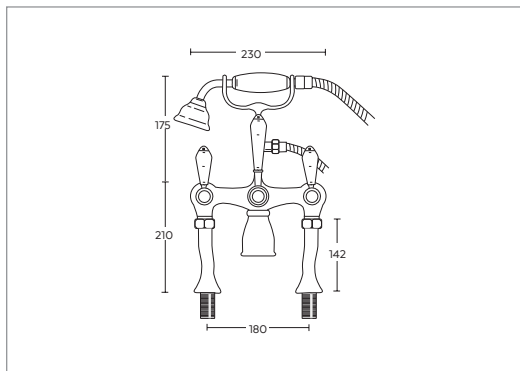
White Ceramic
Lever

Black Ceramic
Lever



White Ceramic
Lever

Black Ceramic
Lever



Bath shower mixer, deck mounted

(This bath shower mixer has 180 centres)

White Ceramic Lever

(finishes available with white ceramic levers)

Chrome RADBSMDMWCP

Black Ceramic Lever

(finishes available with black ceramic levers)

Chrome RADBSMDMBCP

Bath shower mixer, wall mounted

(This bath shower mixer has 180 centres)

White Ceramic Lever

(finishes available with white ceramic levers)

Chrome RADBSMWMWCP

Black Ceramic Lever

(finishes available with black ceramic levers)

Chrome RADBSMWMBCP

3 hole basin mixer

(complete with pop up wastes)

White Ceramic Lever

(finishes available with white ceramic levers)

Chrome RAD3BMWCP

Black Ceramic Lever

(finishes available with black ceramic levers)

Chrome RAD3MBBCP

Only suitable for high/low pressure water systems. Compression valve technology.



IMPERIAL

RADCLIFFE COLLECTION



White Ceramic
Lever

Black Ceramic
Lever



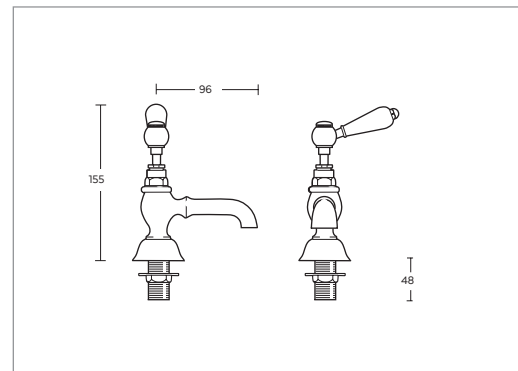
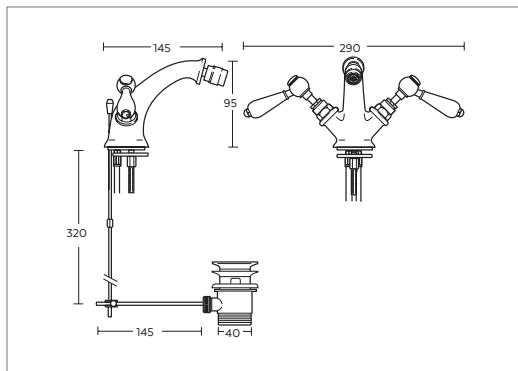
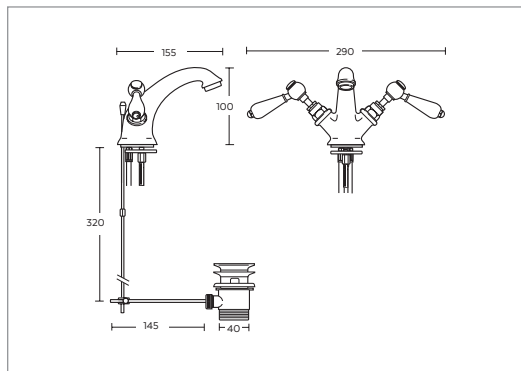
White Ceramic
Lever

Black Ceramic
Lever



White Ceramic
Lever

Black Ceramic
Lever



Monobloc basin mixer

(complete with pop up waste)

White Ceramic Lever

(finishes available with white ceramic levers)

Chrome RADBMWCP

Black Ceramic Lever

(finishes available with black ceramic levers)

Chrome RADBMBCP

Monobloc bidet mixer

(complete with pop up waste)

White Ceramic Lever

(finishes available with white ceramic levers)

Chrome RADBIWCP

Black Ceramic Lever

(finishes available with black ceramic levers)

Chrome RADBIBCP

1/2" basin pillar taps

White Ceramic Lever

(finishes available with white ceramic levers)

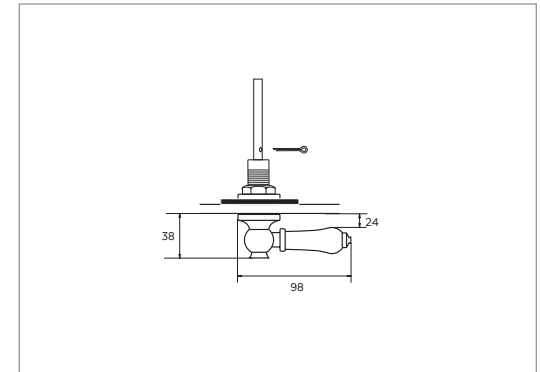
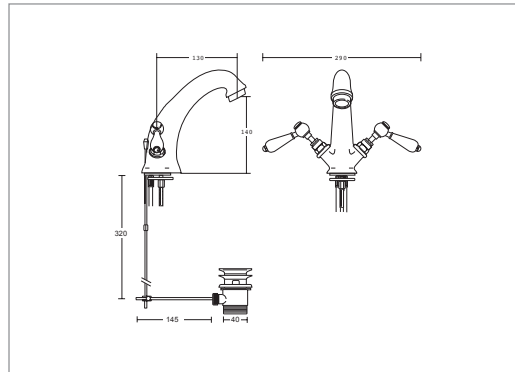
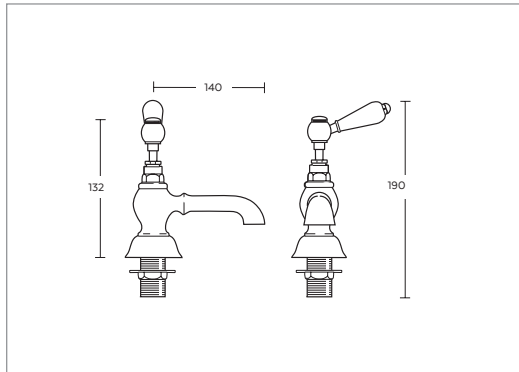
Chrome RADBASINTAPSWCP

Black Ceramic Lever

(finishes available with black ceramic levers)

Chrome RADBASINTAPSBCP

RADCLIFFE COLLECTION



3/4" bath pillar taps

White Ceramic Lever

(finishes available with white ceramic levers)

Chrome RADBATHTAPSWCP

Black Ceramic Lever

(finishes available with black ceramic levers)

Chrome RADBATHTAPSBPC

Tall mono basin mixer

(complete with pop up waste)

White Ceramic Lever

(finishes available with white ceramic levers)

Chrome RADTBMWCP

Black Ceramic Lever

(finishes available with black ceramic levers)

Chrome RADTBMBCP

Ceramic cistern lever

White Ceramic Lever

(finishes available with white ceramic levers)

Chrome XO12000100

Black Ceramic Lever

(finishes available with black ceramic levers)

Chrome XO12000140

Only suitable for high/low pressure water systems. Compression valve technology.

For further technical information go to: www.imperialbathroom.com; Technical drawings are subject to change and therefore they are for guideline purpose only.



Maisoy a la mode Maisoy a la mode Maisoy a la mode
Il n'est rien de réel que le r
ère et l'amour.
comme je t'aimerai
f'âme

Quand il me prend
dans les bras
Il me parle tout bas je
qui en rose
Il n'y a qu'un bonheur
aimé, c'est d'ay
Il n'est rien de réel que
Maisoy a la mode Maisoy a la mode Maisoy a la mode
comme je t'aimerai



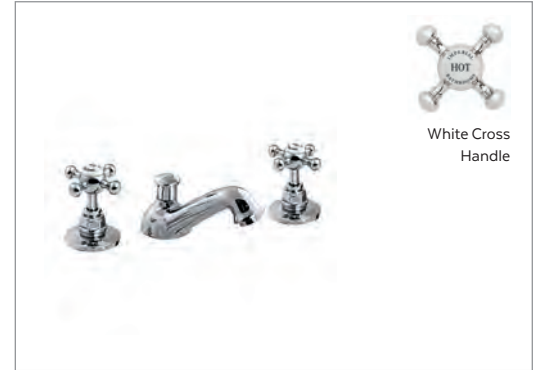
WESTMINSTER COLLECTION



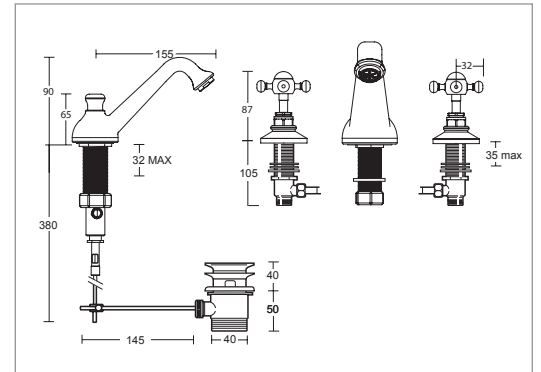
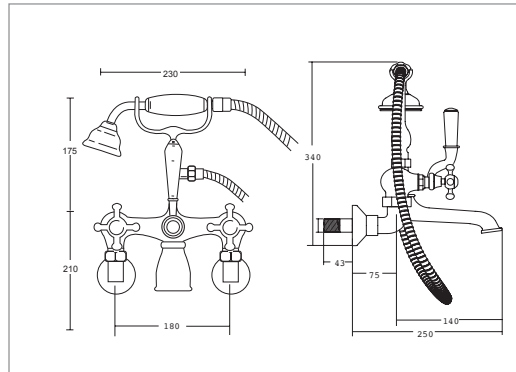
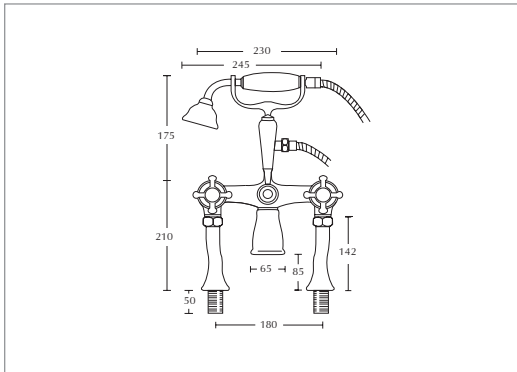
White Cross Handle



White Cross Handle



White Cross Handle



Bath shower mixer, deck mounted
(This bath shower mixer has 180 centres)

Bath shower mixer, wall mounted
(This bath shower mixer has 180 centres)

3 hole basin mixer
(complete with pop up wastes)

White Cross Handle
(finishes available with white cross handles)
Chrome WESBSMDMWCP

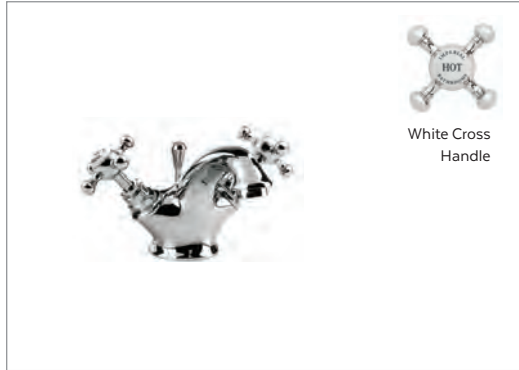
White Cross Handle
(finishes available with white cross handles)
Chrome WESBSMWMWCP

White Cross Handle
(finishes available with white cross handles)
Chrome WES3BMWCP

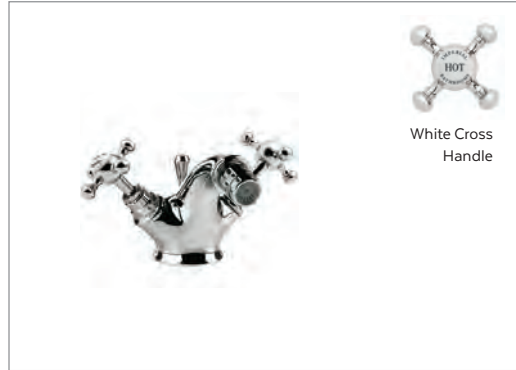
Only suitable for high/low pressure water systems. Ceramic disc quarter turn technology.

For further technical information go to: www.imperialbathroom.com; Technical drawings are subject to change and therefore they are for guideline purpose only.

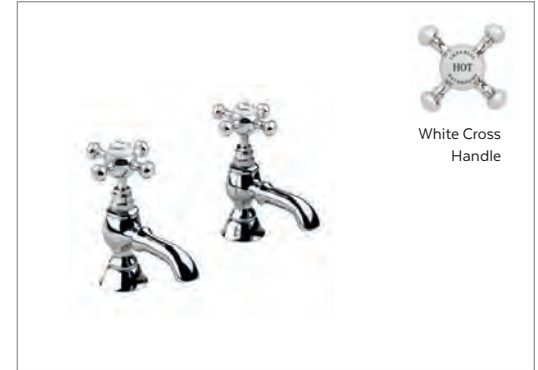
WESTMINSTER COLLECTION



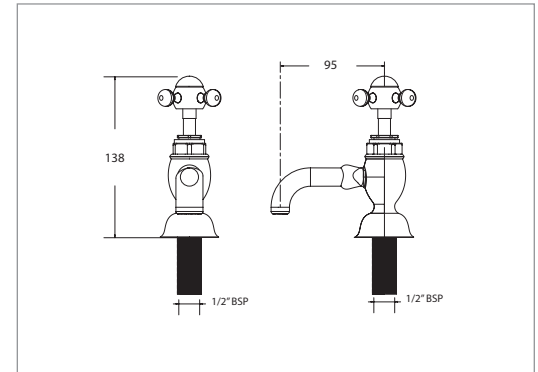
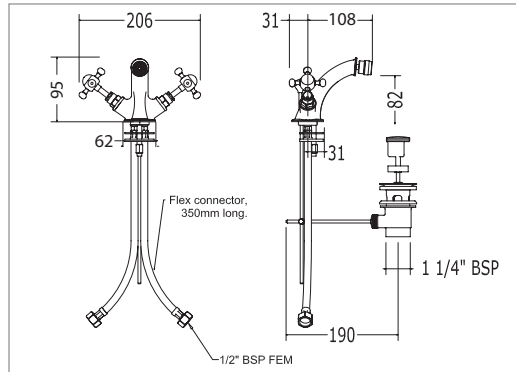
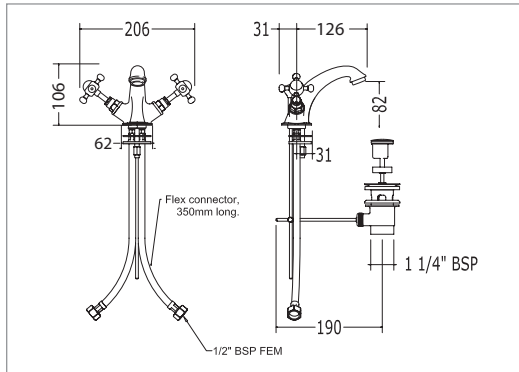
White Cross Handle



White Cross Handle



White Cross Handle



Monobloc basin mixer
(complete with pop up waste)

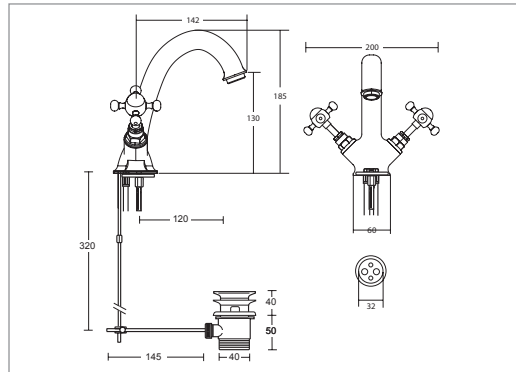
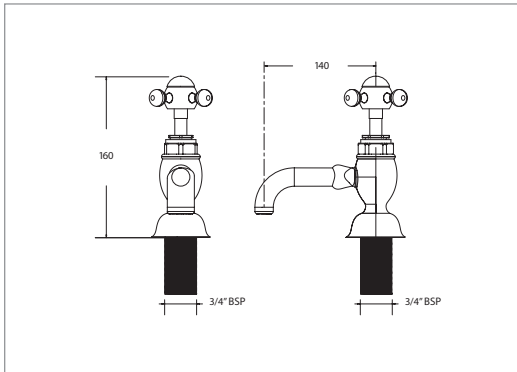
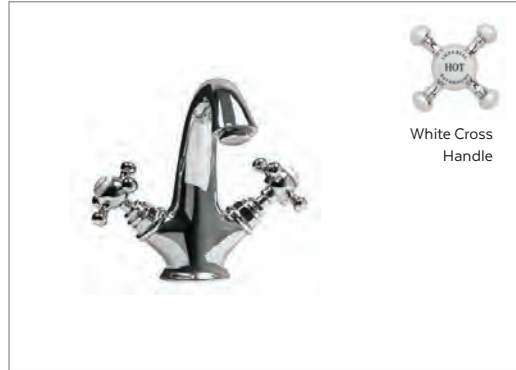
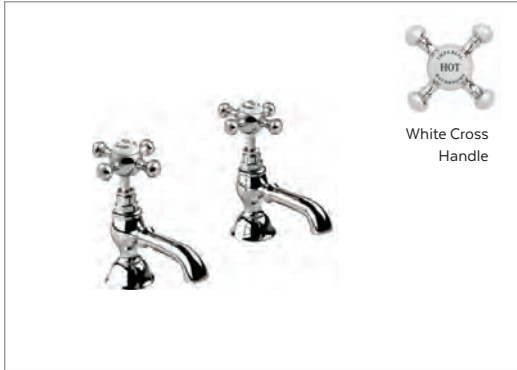
Monobloc bidet mixer
(complete with pop up waste)

1/2" basin pillar taps

White Cross Handle
(finishes available with white cross handles)
Chrome WESBMWCP

White Cross Handle
(finishes available with white cross handles)
Chrome WESBIWCP

White Cross Handle
(finishes available with white cross handles)
Chrome WESBASINTAPSWCP



3/4" bath pillar taps

White Cross Handle

(finishes available with white cross handles)

Chrome WESBATHTAPSWCP

Tall mono basin mixer

(complete with pop up waste)

White Cross Handle

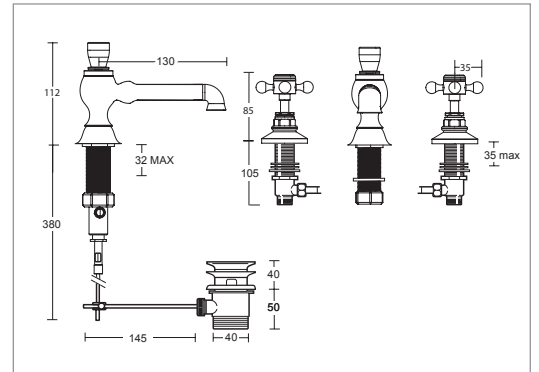
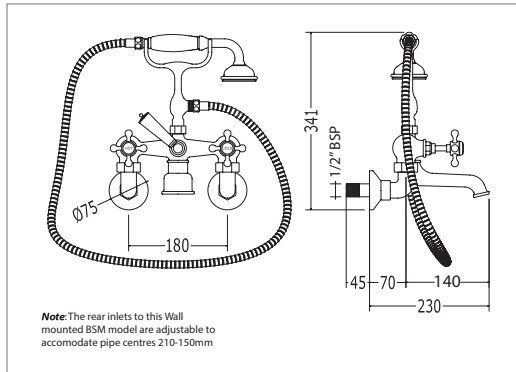
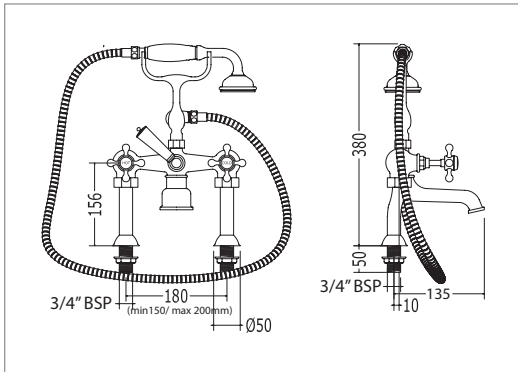
(finishes available with white cross handles)

Chrome WESTBMWCP

Only suitable for high/low pressure water systems. Ceramic disc quarter turn technology.

For further technical information go to: www.imperialbathroom.com; Technical drawings are subject to change and therefore they are for guideline purpose only.

VICTORIAN COLLECTION



3/4" bath shower mixer, deck mounted

Complete with shower kit
(This bath shower mixer has 180 centres)

Chrome VICBSMDMCP
Antique Gold VICBSMDMAG

3/4" bath shower mixer, wall mounted

Complete with shower kit
(This bath shower mixer has 180 centres)

Chrome VICBSMWMCP
Antique Gold VICBSMWMAG

3 hole extended basin mixer 130mm

(complete with pop up wastes)

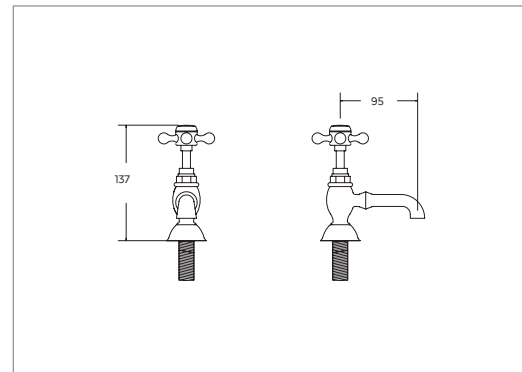
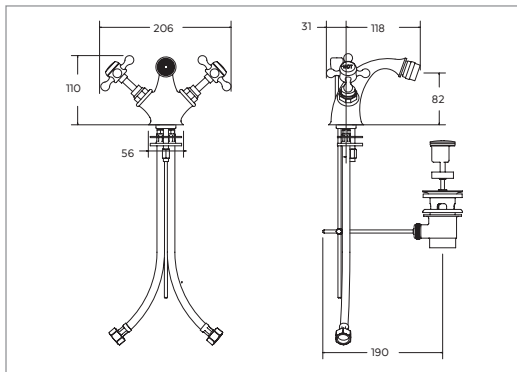
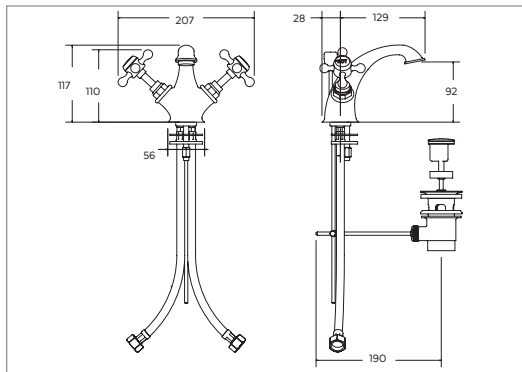
Chrome VIC3BMCP
Antique Gold VIC3BMAG

Only suitable for high/low pressure water systems. Ceramic disc quarter turn technology.



IMPERIAL

VICTORIAN COLLECTION



1/2" monobloc basin mixer
(complete with pop up waste)

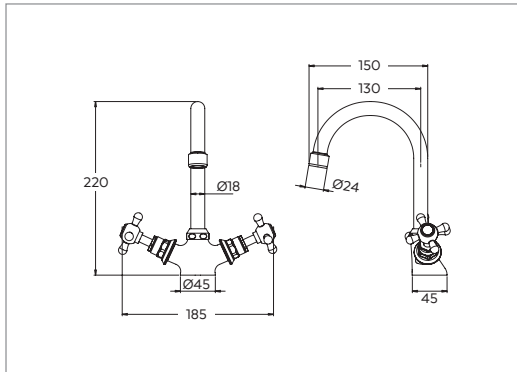
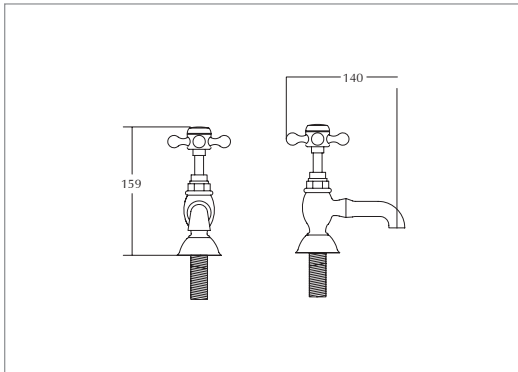
Chrome VICBMCP
Antique Gold VICBMAG

1/2" monobloc bidet mixer
(complete with pop up waste)

Chrome VICBICP
Antique Gold VICBIAG

1/2" basin pillar taps

Chrome VICBASINTAPSCP
Antique Gold VICBASINTAPSAG



3/4" bath pillar taps

Chrome	VICBATHTAPSCP
Antique Gold	VICBATHTAPSAG

Victorian cloak vanity monobloc basin mixer (for use with cloak vanity basin)

Chrome	VICCBMCP
Antique Gold	VICCBMAG

Only suitable for high/low pressure water systems. Ceramic disc quarter turn technology.

For further technical information go to: www.imperialbathroom.com; Technical drawings are subject to change and therefore they are for guideline purpose only.



The
IMPERIAL BATHROOM
Company

ON

HOT
THERMOSTATIC
Made in England

MADE IN ENGLAND

The
IMPERIAL BATHROOM
Company

THE SHOWERING COLLECTION

Imperial prides itself in supplying products of high performance and quality design.

Our shower valves and accessories are no exception to this, combining style with outstanding functionality to ensure a luxurious showering experience.

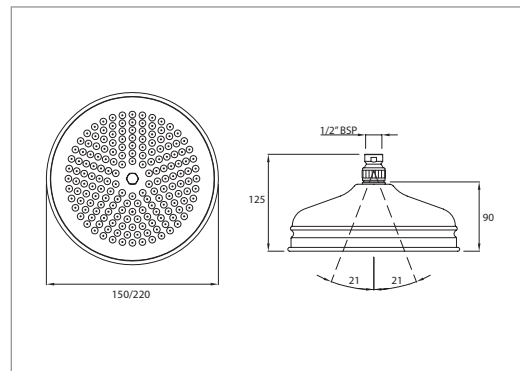
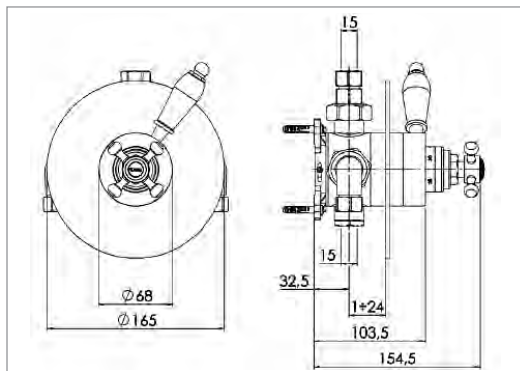
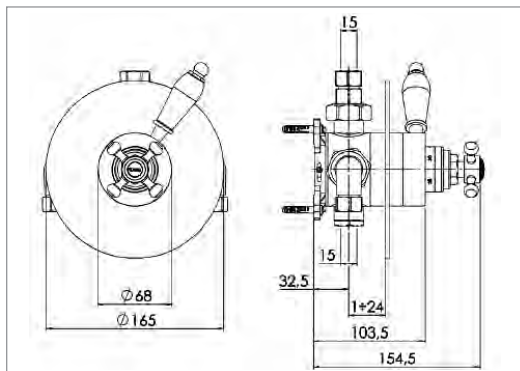
Westminster Collection

160

Victorian Collection

164

WESTMINSTER COLLECTION



Concealed Westminster thermostatic control valve
(White controls)

SINGLE WATER OUTLET

Chrome XM86200100

Concealed Westminster thermostatic control valve
(Black controls)

SINGLE WATER OUTLET

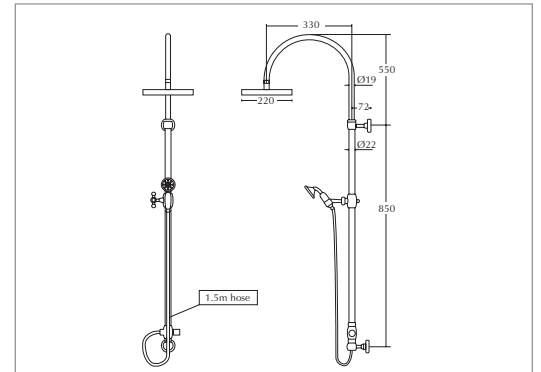
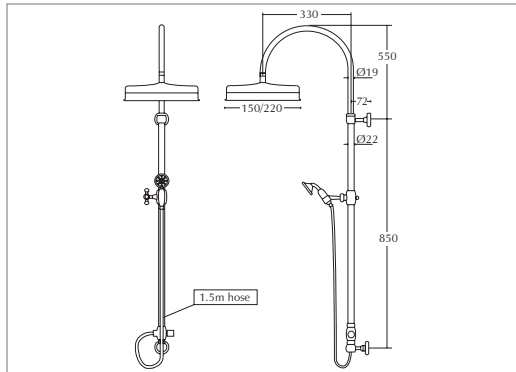
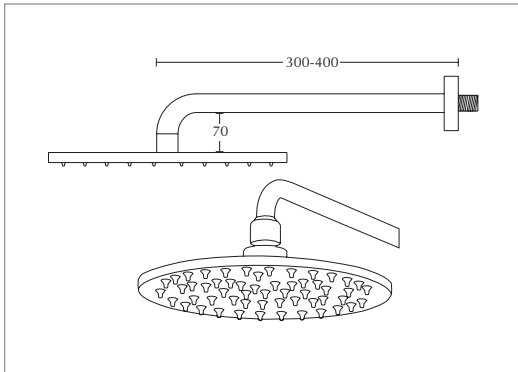
Chrome ZXM82900120

Dart traditional wall mounted rose head
(Supplied with wall round fixed arm)

150mm
Chrome ZXM84600100

220mm
Chrome ZXM84700100

WESTMINSTER COLLECTION



Amenia Wall mounted slim rose head
(Supplied with wall round fixed arm)

225mm
Chrome ZXM84100100

Edwardian rigid riser - traditional dart head
(White handset)
For use with the concealed shower valve

150mm
Chrome ZXM87100100

220mm
Chrome ZXM87200100

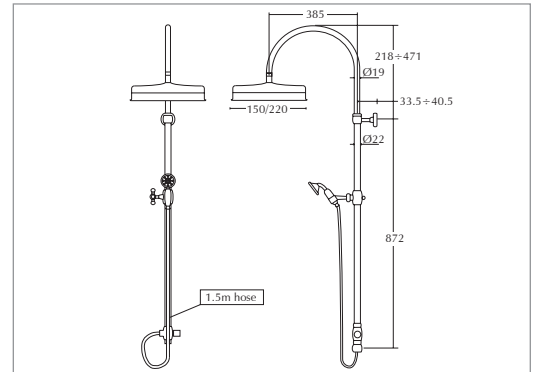
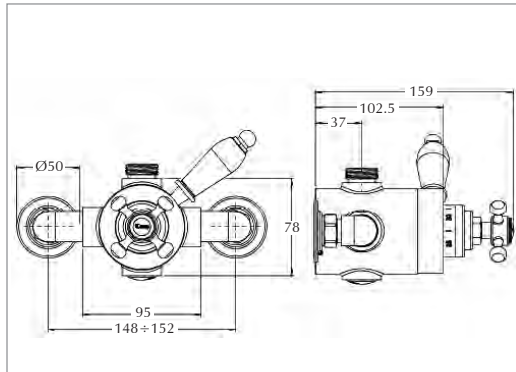
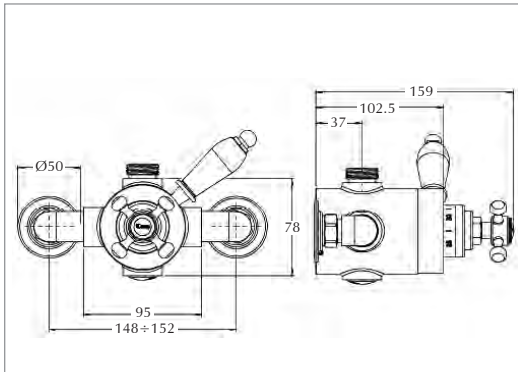
(Optional extra shower handset in Black)
Extra
Chrome XM84500100

Edwardian rigid riser - slim Amenia shower head
(White handset)
For use with the concealed shower valve

225mm
Chrome ZXM87500100

(Optional extra shower handset in Black)
Extra
Chrome XM84500100

WESTMINSTER COLLECTION



Exposed Westminster thermostatic control valve
(White controls)

SINGLE WATER OUTLET

Price for valve only

Chrome XM80500100NW

Note: The shower Valve does not include the Rigid Riser Kit. Please select a Westminster rigid riser from the opposite product options.

Exposed Westminster thermostatic control valve
(Black controls)

SINGLE WATER OUTLET

Price for valve only

Chrome ZXM82300100

Note: The shower Valve does not include the Rigid Riser Kit. Please select a Westminster rigid riser from the opposite product options.

Westminster rigid riser - traditional dart head*
(White handset)

For use with Westminster exposed shower valve. Please note this is not compatible with the Victorian shower valve

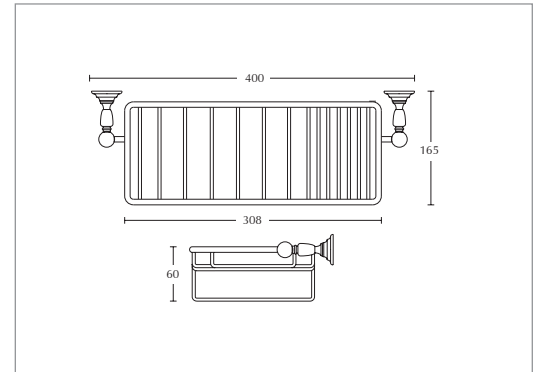
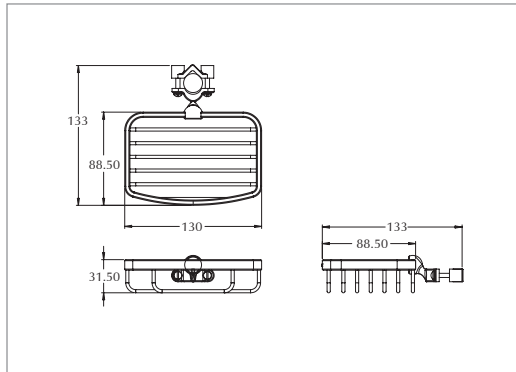
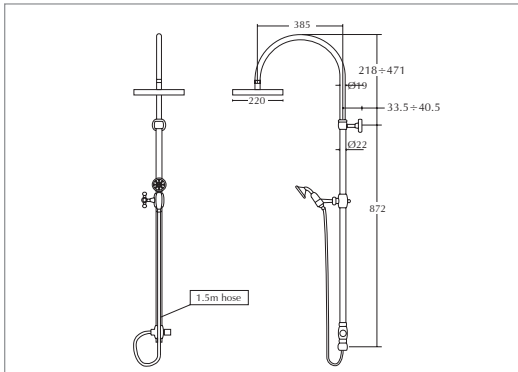
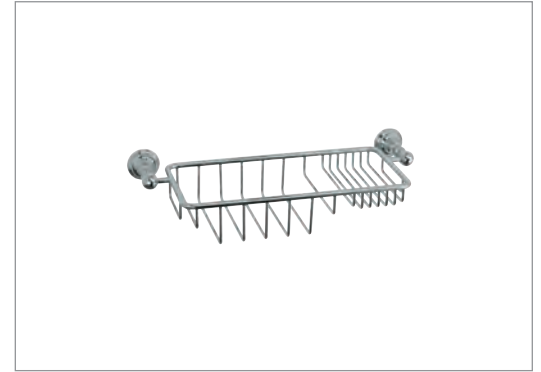
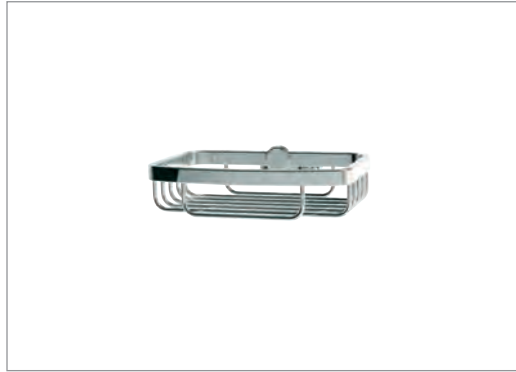
150mm
Chrome ZXM87700100

220mm
Chrome ZXM87800100

(Optional extra shower handset in Black)
Extra
Chrome XM84500100

*For use with the Westminster Exposed Valve

WESTMINSTER COLLECTION



Westminster rigid riser - slim Amena shower head* (White handset)

For use with Westminster exposed shower valve. Please note this is not compatible with the Victorian shower valve

225mm
Chrome

XZM88200100

Victorian shower tidy soap rack (For use with Victorian and Westminster rigid riser kits)

Chrome

XS62800100N

Richmond shower tidy wall mounted

(For use with Victorian rigid riser kits)

Chrome

XCL0700100

(Optional extra shower handset in Black)

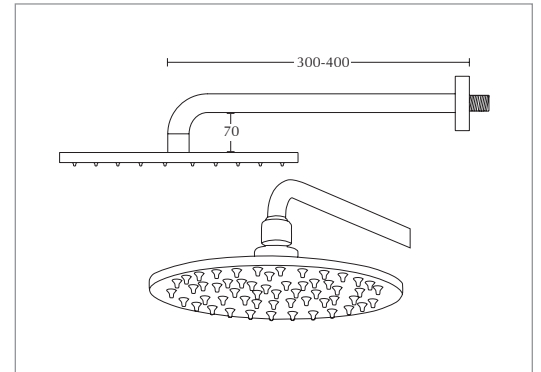
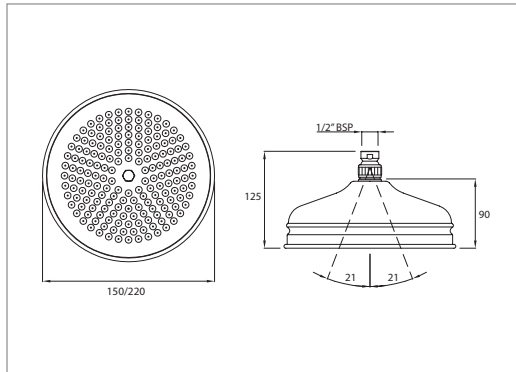
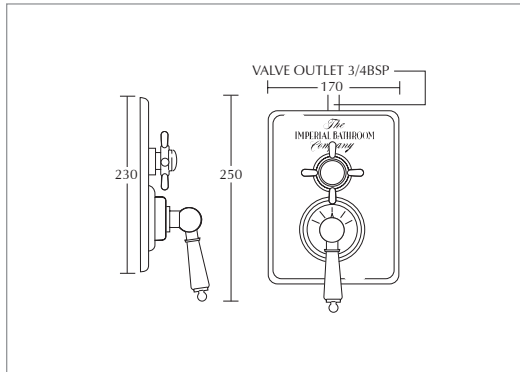
Extra
Chrome

XM84500100

*For use with the Westminster Exposed Valve

For further technical information go to: www.imperialbathroom.com; Technical drawings are subject to change and therefore they are for guideline purpose only.

VICTORIAN COLLECTION



Concealed Victorian thermostatic dual control valve

(White lever controls)

SINGLE WATER OUTLET

Chrome ZXS6110100C

Dart traditional wall mounted rose head

(Supplied with wall round fixed arm)

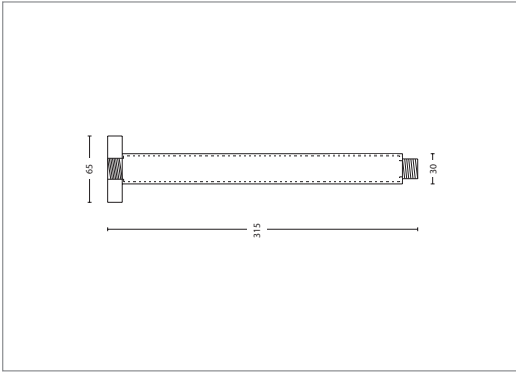
150mm
Chrome ZXM84600100

220mm
Chrome ZXM84700100

Amena Wall mounted slim rose head

(Supplied with wall round fixed arm)

225mm
Chrome ZXM84100100



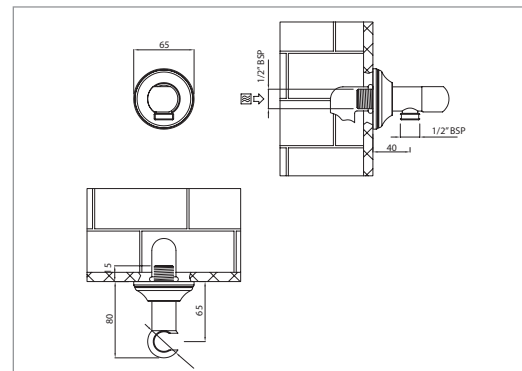
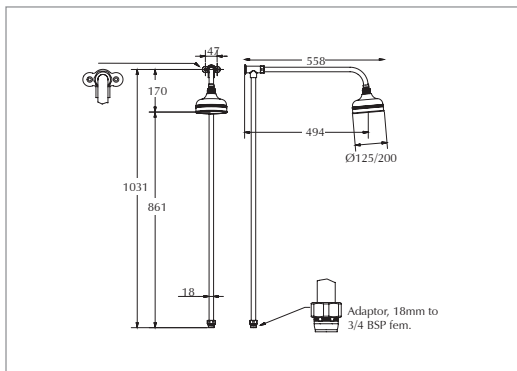
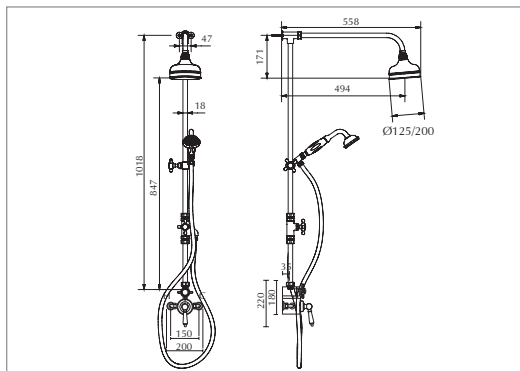
Ceiling shower adapter

Chrome

XS62160100



VICTORIAN COLLECTION



Victorian rigid riser kit with Victorian exposed shower valve - with diverter and handset
(Included White handset, shower valve, victorian soap dish and traditional rose head)

125mm (5")
Chrome ZXS6130100C

200mm (8")
Chrome ZXS6170100C

Victorian rigid riser with a traditional rose head with Victorian exposed shower valve
(Included traditional rose head)

125mm (5")
Chrome ZXS6140100C

200mm (8")
Chrome ZXS6141100C

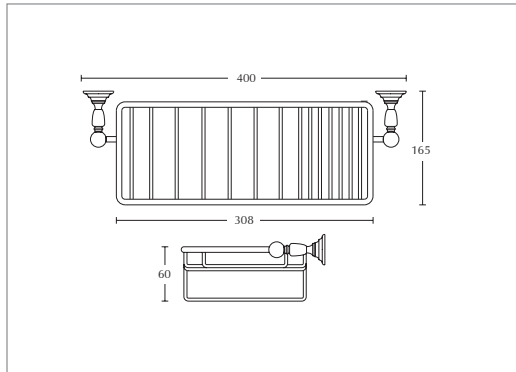
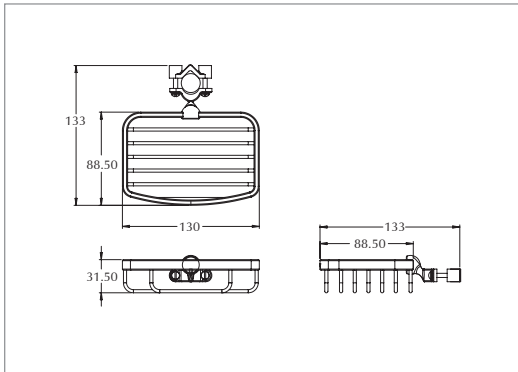
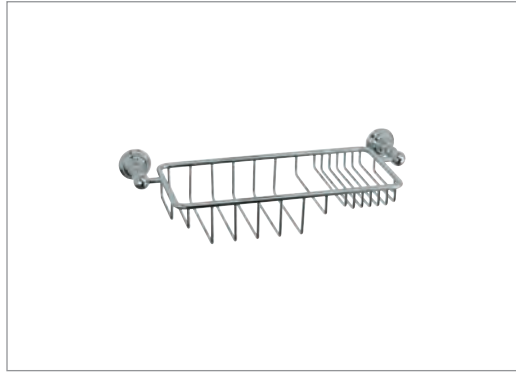
Hand shower kit
(Supplied with a white handset)
For use with the concealed shower valve

White
Chrome XM85100100BNW

Black
Chrome XM85100100ONW

Please refer to the www.imperialbathroom.com website for the thermostatic valve body dimensions

For further technical information go to: www.imperialbathroom.com; Technical drawings are subject to change and therefore they are for guideline purpose only.



Victorian shower tidy soap rack

(For use with Victorian and Westminster rigid riser kits)

Chrome XS62800100N

Richmond shower tidy wall mounted

(For use with Victorian rigid riser kits)

Chrome XCL0700100



THE MIRROR COLLECTION

Mirrors aren't just there for looking into. They also play an essential room styling role through their frame design and also by the way they enhance space by reflecting light. All mirrors in the Imperial collection are made from the highest grade materials and are specially sealed to give many years or service in the bathroom environment.

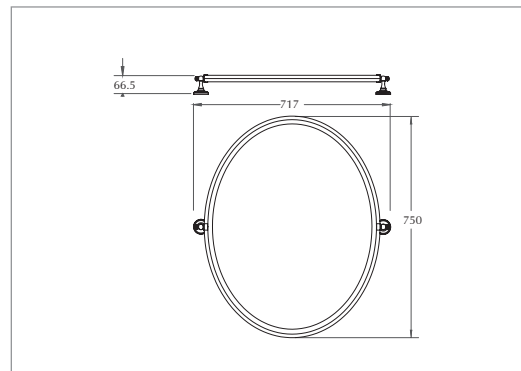
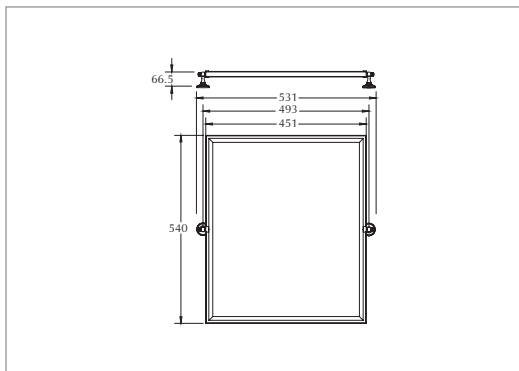
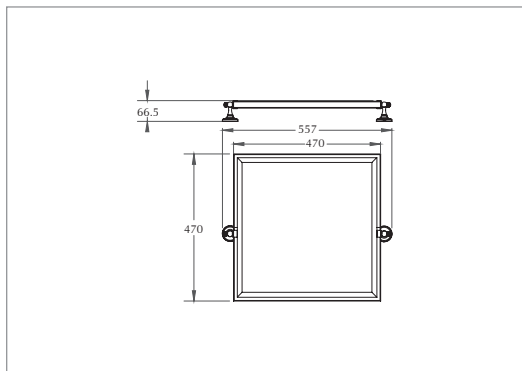
Metal Framed Mirrors

170

Wooden Framed Mirrors

172

METAL FRAMED MIRRORS



Isaac framed mirror
(square)

Chrome

XLU0033100N

William framed mirror
(rectangular)

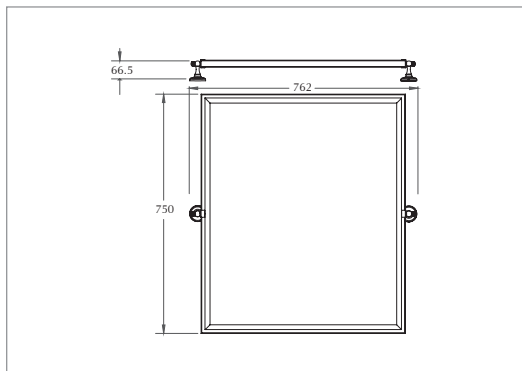
Chrome

XLU0035100

Jules framed mirror
(oval)

Chrome

XLU0030100N



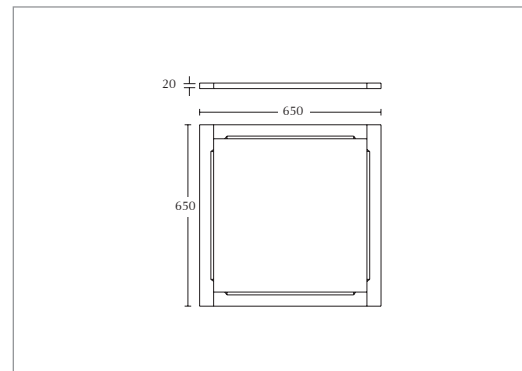
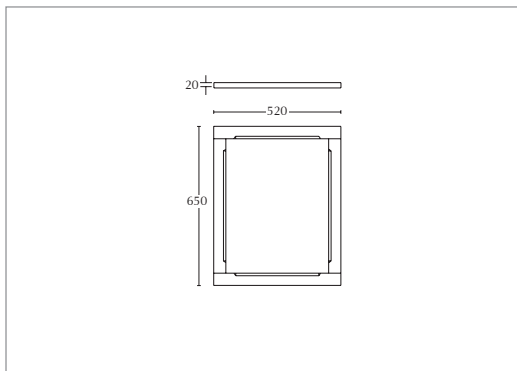
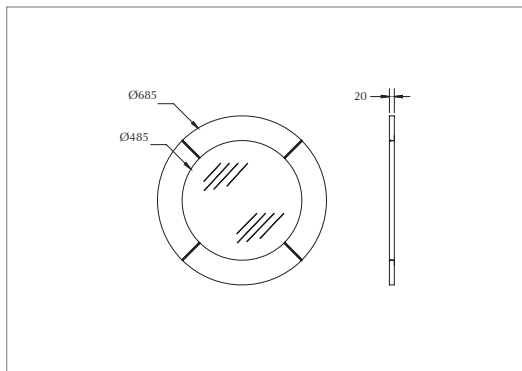
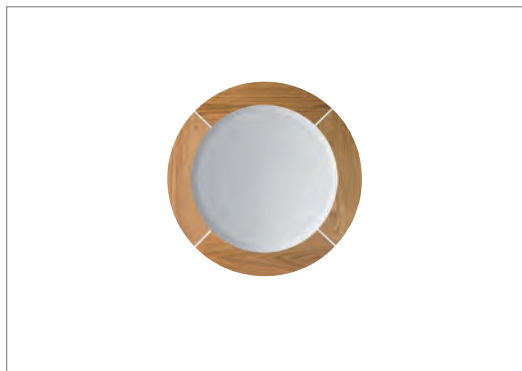
Tristan framed mirror
(rectangular)

Chrome

XLU0032100N



WOODEN FRAMED MIRRORS



Annabel luxury mirror

Natural Oak	XP39030020
Wenge	XP39030042
White	XP39030010
Grey Ecu	XP39030004
Moseley Blue	XP39030014

Broadway cloak mirror with internal chamfered edges

Natural Oak	XG39100020
Wenge	XG39100042
White	XG39100010
Grey Ecu	XG39100004
Moseley Blue	XG39100014

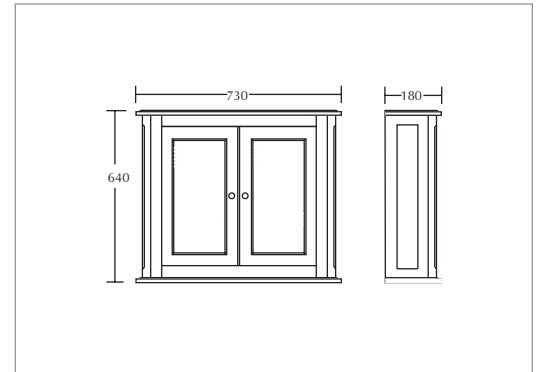
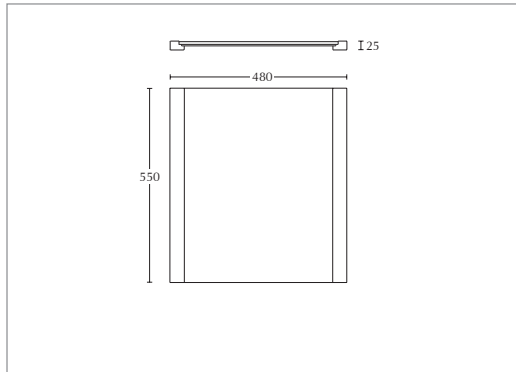
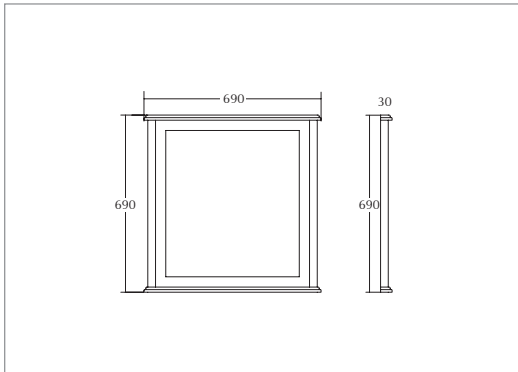
Standard Broadway mirror

Natural Oak	XG39400020
Wenge	XG39400042
White	XG39400010
Grey Ecu	XG39400004
Moseley Blue	XG39400014





WOODEN FRAMED MIRRORS



Thurlestone small mirror

Natural Oak	XWTO019020
Wenge	XWTO019042
White	XWTO019010
Grey Ecu	XWTO019004
Moseley Blue	XWTO019014

Thurlestone cloakroom mirror

Natural Oak	XWMC110020
Wenge	XWMC110042
White	XWMC110010
Grey Ecu	XWMC110004
Moseley Blue	XWMC110014

Thurlestone wall cabinet with 2 doors wood/mirror glass doors

Natural Oak	XWTO220020
Wenge	XWTO220042
White	XWTO220010
Grey Ecu	XWTO220004
Moseley Blue	XWTO220014



THE
ACCESSORIES
COLLECTION

Just as in haute couture, ultimate success in fine bathroom styling demands a keen awareness of the importance of accessories. With ultimate quality and detailing, Imperial makes it beautifully simple.

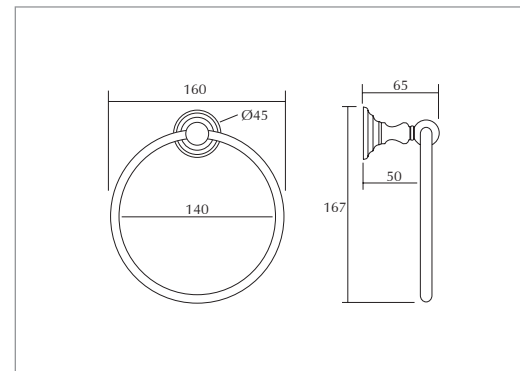
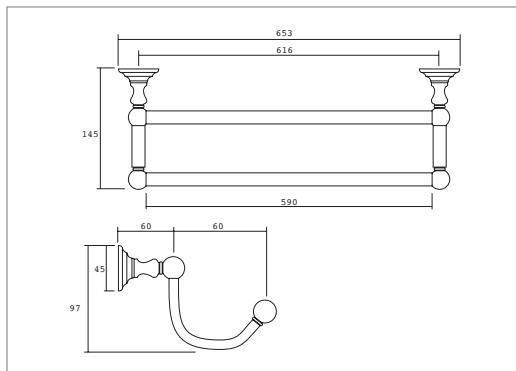
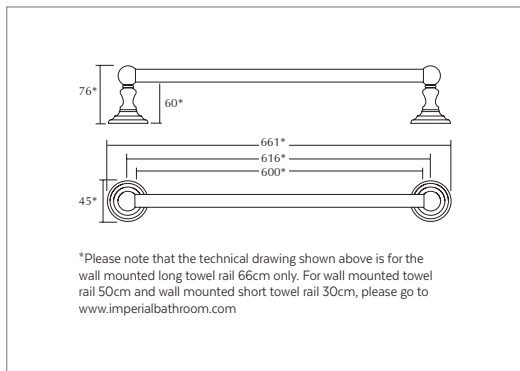
Richmond

178

Ancillaries, Spare Parts
& Toilet Seats

184

RICHMOND COLLECTION



Wall mounted long towel rail 66cm

Chrome XCL0070100

Wall mounted double towel rail 66cm

Chrome XCL0200100

Towel ring

Chrome XCL0050100

Wall mounted towel rail 50cm (not shown)

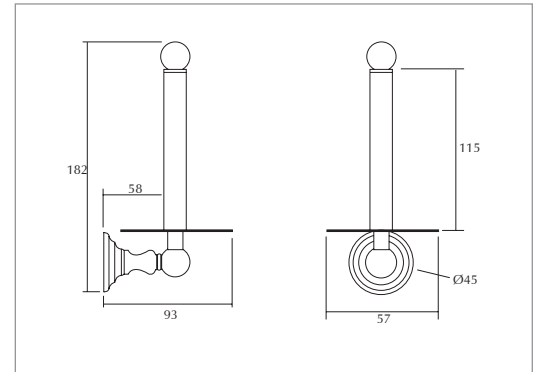
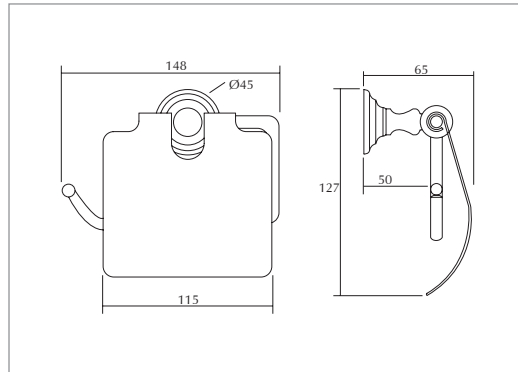
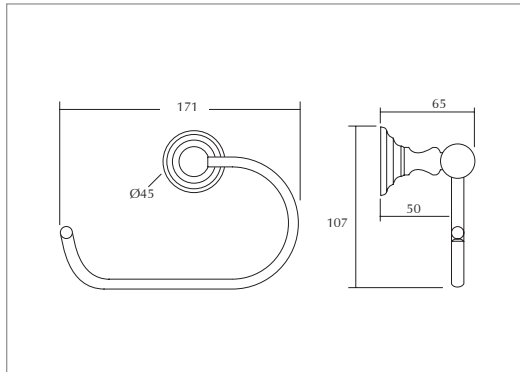
Chrome XCL0060100

Wall mounted short towel rail 30cm (not shown)

Chrome XCL0400100



RICHMOND COLLECTION



Wall mounted open toilet roll holder

Chrome

XCL0110100

Wall mounted covered toilet roll holder

Chrome

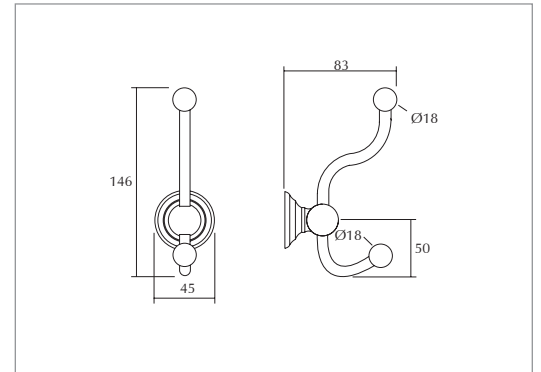
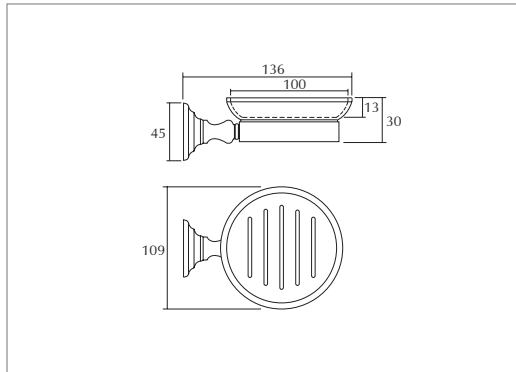
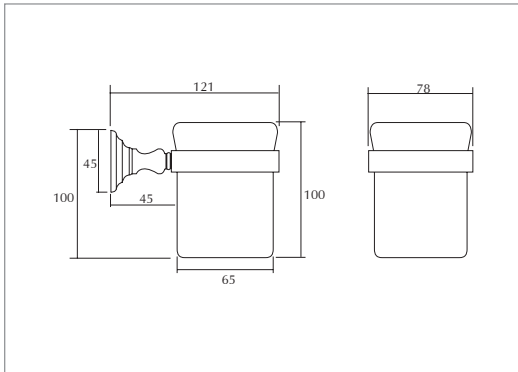
XCL0040100

Wall mounted spare toilet roll holder

Chrome

XCL0020100

RICHMOND COLLECTION



Wall mounted tumbler

Wall mounted soap dish

Double robe hook

Chrome

XCL0300100

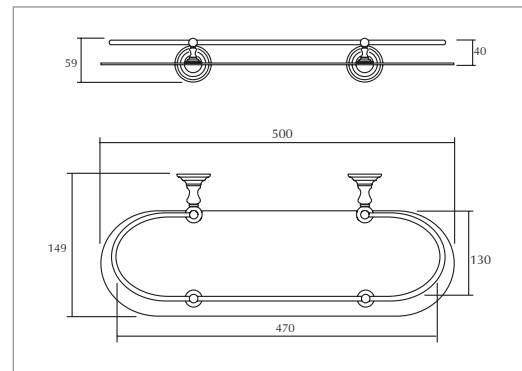
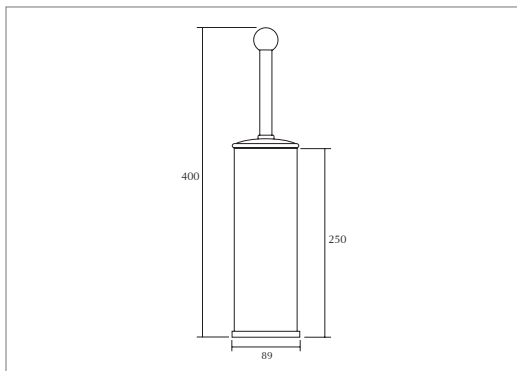
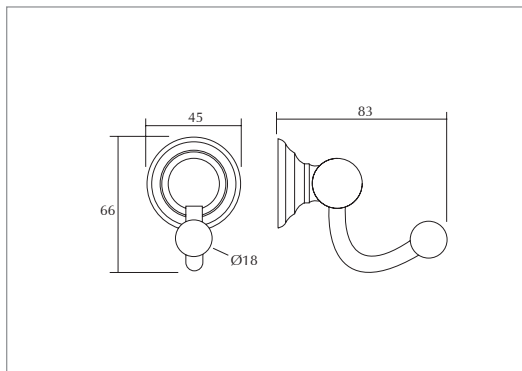
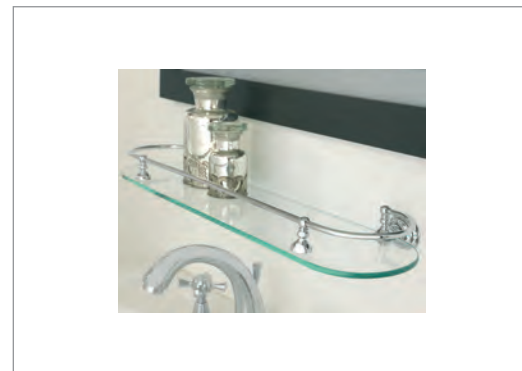
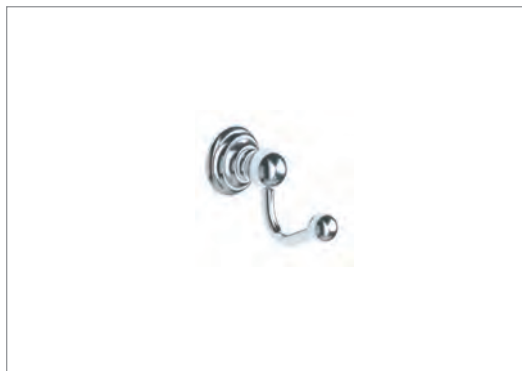
Chrome

XCL0090100

Chrome

XCL0030100

RICHMOND COLLECTION



Single robe hook

Chrome

XCL0010100

Free standing toilet brush holder

Chrome

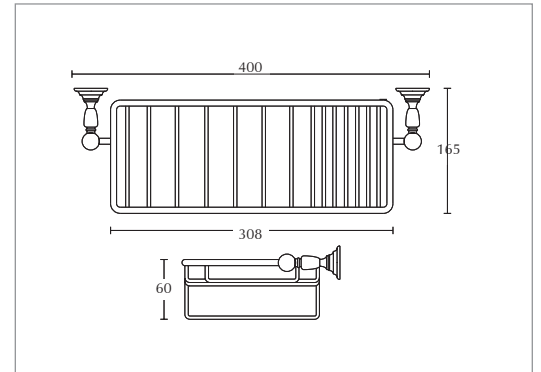
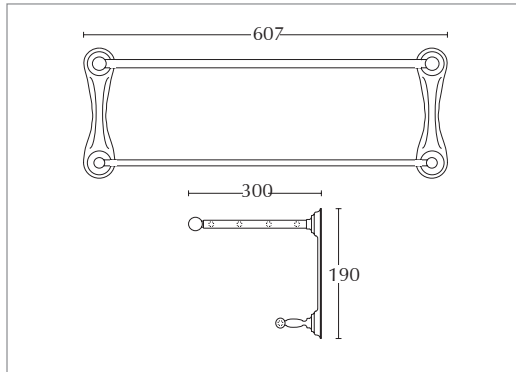
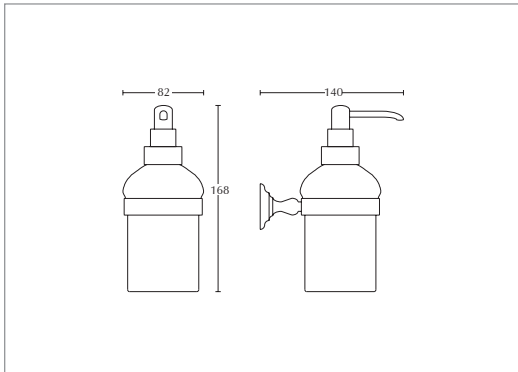
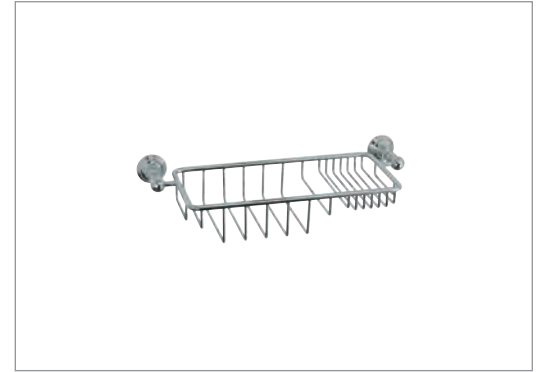
XCL0080100

Wall mounted gallery shelf 50cm

Chrome

XCL0100100

RICHMOND COLLECTION



Wall mounted soap dispenser

Chrome

XCL0600100

Wall mounted towel shelf

Chrome

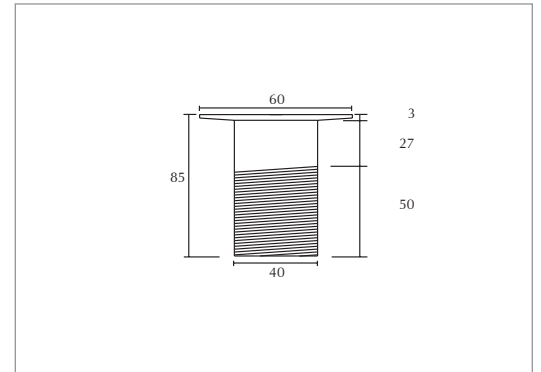
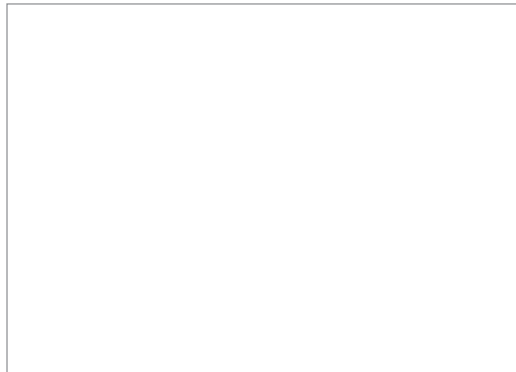
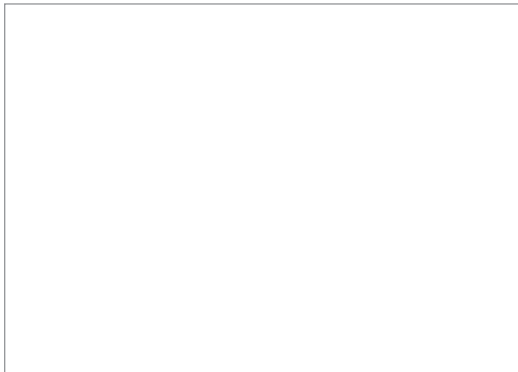
XCL0500100

Richmond shower tray wall mounted
(For use with Victorian rigid riser kits)

Chrome

XCL0700100

ANCILLARIES



Click clack basin waste

Slotted Waste

Chrome XO60110300

Unslotted Waste

Chrome XO60110302

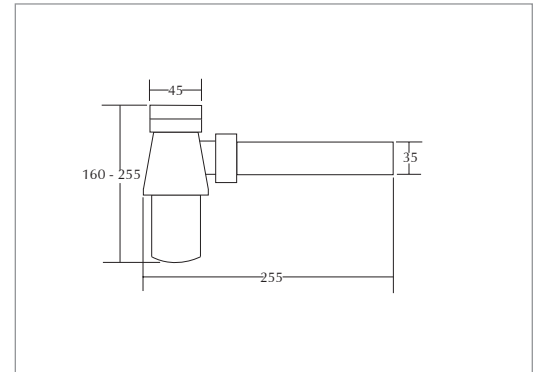
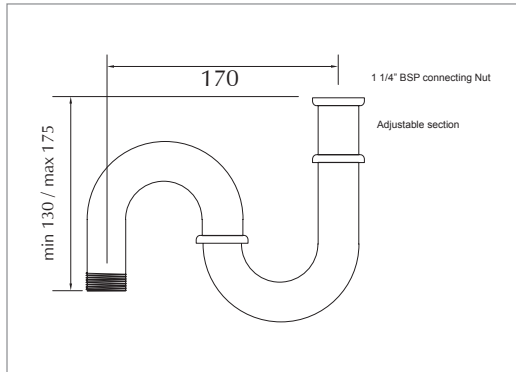
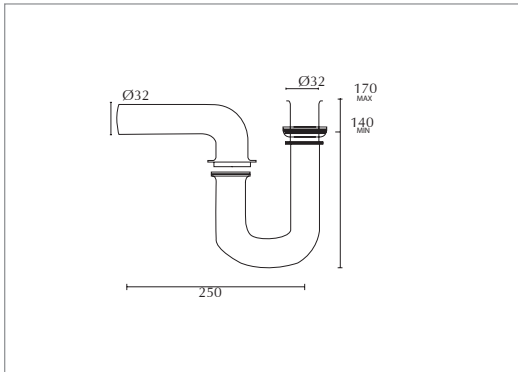
Free flow waste

Chrome XO60110401

1 1/4" Basin waste

Complete with solid brass plug and chain

Chrome XO60110100
 Antique Gold XO60110200
 Polished Nickel XO60110400



Traditional 'P' trap

Chrome	XO60160100
Antique Gold	XO60160200
Polished Nickel	XO60160300

Classic 'S' Trap

Chrome	XO60150100
Antique Gold	XO60150200
Polished Nickel	XO60150300

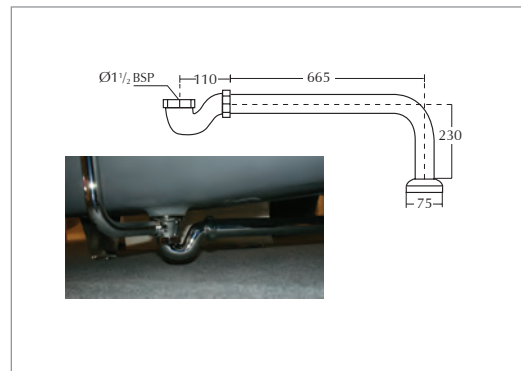
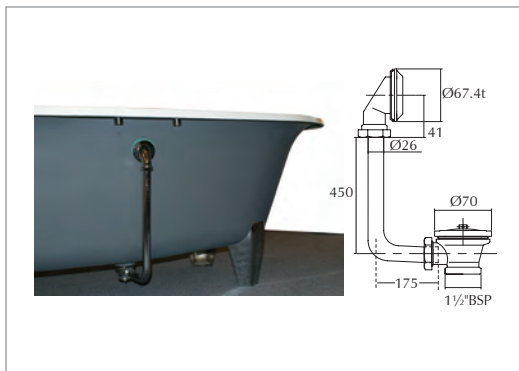
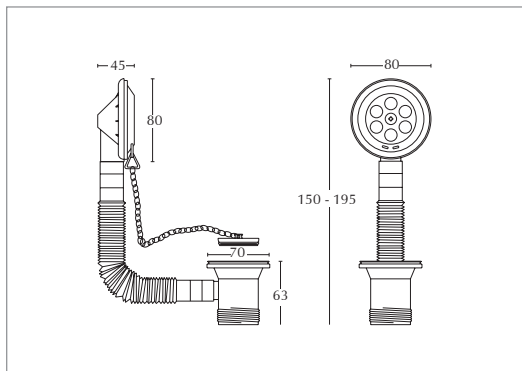
Traditional 1/4 bottle trap

Chrome	XO60130100N
Antique Gold	XO60130200N
Polished Nickel	XO60130300N





ANCILLARIES



Tidy plug standard bath waste with plug and chain

For use with acrylic baths and Harrington bath

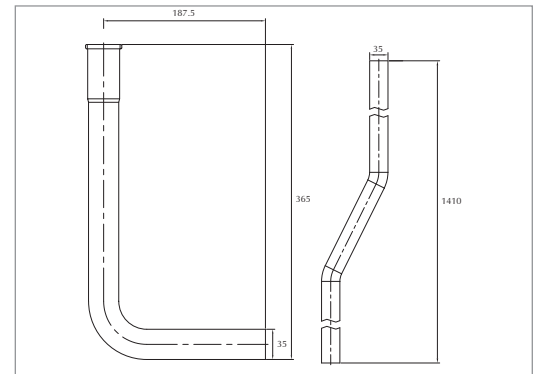
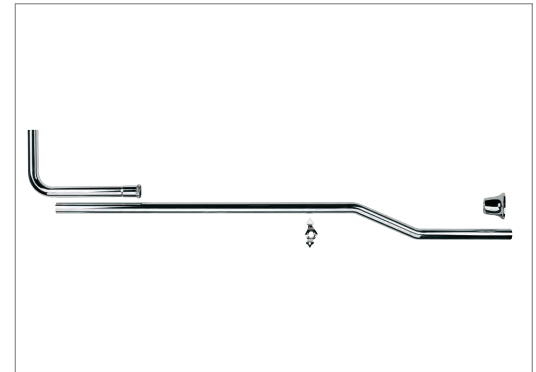
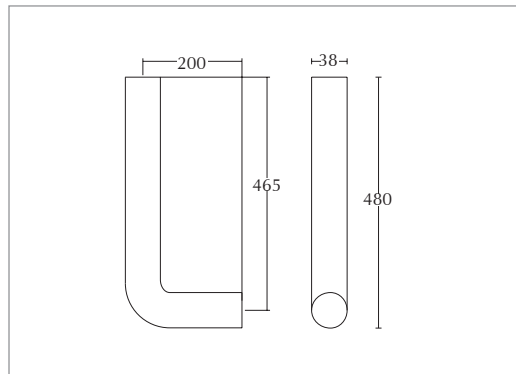
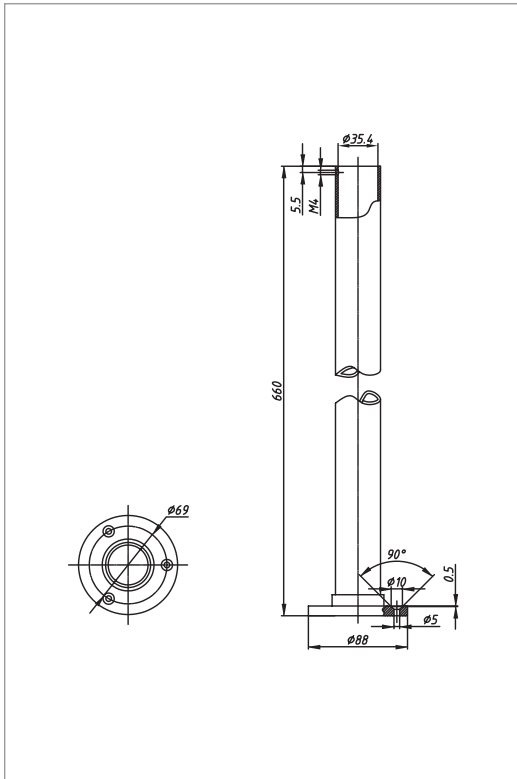
Chrome XO60140100N

Exposed bath waste

Chrome XS67000300N
 Antique Gold XS67000400N
 Polished Nickel XS67000500N

Roll top S trap low seal

Chrome XS68000100
 Antique Gold XS68000200
 Polished Nickel XS68000300



Traditional stand pipes

NB: Traditional stand pipes for use with the following brassware: Victorian, Westminster, Radcliffe

Chrome	ZXS68000700
Antique Gold	ZXS68000800
Polished Nickel	ZXS68000900

Roll-top bath shroud

(For use when taps are mounted on the top of the Bath - Hiding water pipes)

Chrome	XS68000600
Antique Gold	XS68000500
Polished Nickel	XS68000400

Low level flush pipe & shroud

For Oxford, Drift, Etoile and Heyford

Chrome	XO14200100
Antique Gold	XO14200200
Polished Nickel	XO14200300

Low level flush pipe & shroud

For Firenze, Westminster, Astoria Deco, Radcliffe and Bergier

Chrome	XM14200100
Antique Gold	XM14200200
Polished Nickel	XM14200300

High level flush pipe

For Oxford, Drift, Etoile and Heyford

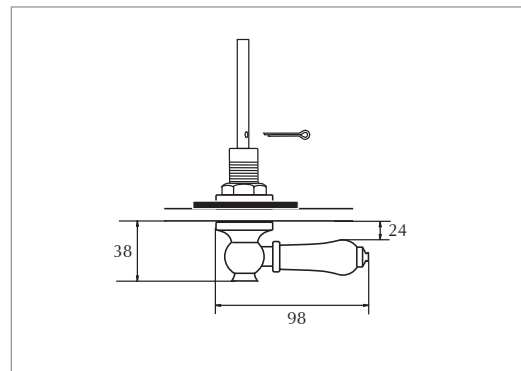
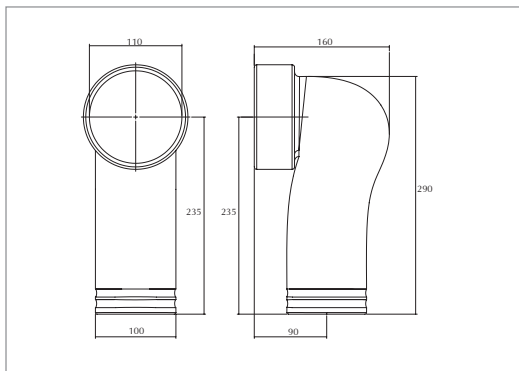
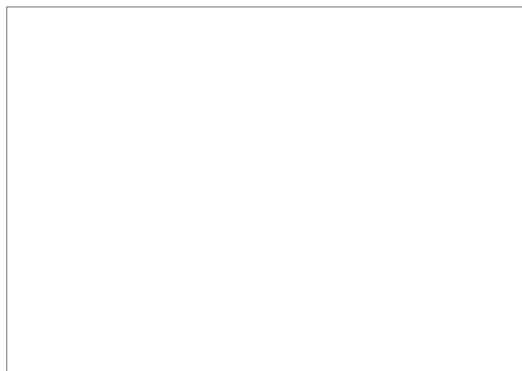
Chrome	XO16300100
Antique Gold	XO16300200
Polished Nickel	XO16300300

High level flush pipe

For Firenze, Westminster, Astoria Deco, Radcliffe and Bergier

Chrome	XM16300100
Antique Gold	XM16300200
Polished Nickel	XM16300300

ANCILLARIES



Ceramic connectors

236mm White XZ18070020
330mm White XZ18070010

Plumber Mait 750G

For use with all ceramic connectors

PLUMB01

Ceramic bend connector

White XZ18070000

Plumber Mait 750G

For use with all ceramic connectors

PLUMB01

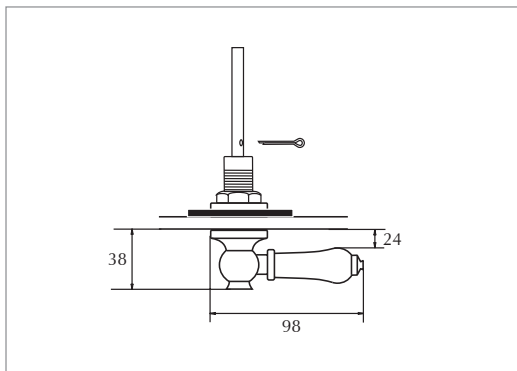
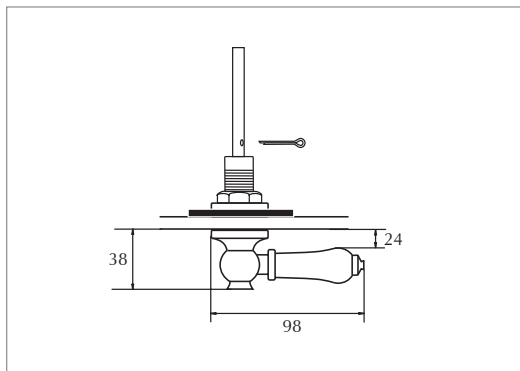
White ceramic cistern lever handle

For use with close coupled or low level cisterns

Please specify suite when ordering

With white ceramic handle

Chrome XO12000100
Antique Gold XO12000200
Polished Nickel XO12000300



Black ceramic cistern lever handle

For use with close coupled or low level cisterns

Please specify suite when ordering

With black ceramic handle

Chrome	XO12000140
Antique Gold	XO12000240
Polished Nickel	XO12000340

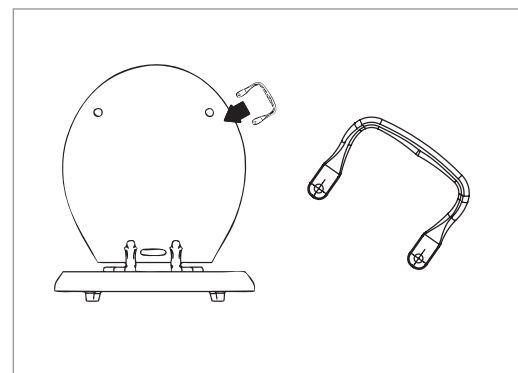
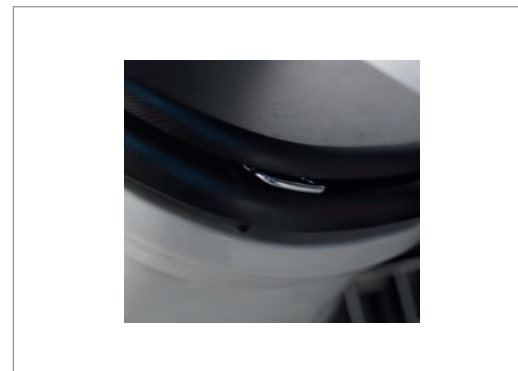
White ceramic cistern lever handle - Extended

For use with concealed cistern

With white ceramic handle

Chrome	XO12E00100
Antique Gold	XO12E00200
Polished Nickel	XO12E00300





Toilet seat soft-close hinge

(Pair)

supplied with screws , seat badge, seat badge screws and instructions in a box

Chrome	ZTSSCHINCP
Antique Gold	ZTSSCHINAG
Polished Nickel	ZTSSCHINPN
Matt Black	ZTSSCHINMB

Toilet seat standard hinge

supplied with screws , seat badge, seat badge screws and instructions in a box

Chrome	ZTSSTDHINCP
Antique Gold	ZTSSTDHINAG
Polished Nickel	ZTSSTDHINPN

Toilet seat lift handle

Chrome	XZ18060300
Antique Gold	XZ18060400
Polished Nickel	XZ18060500





Customer Care and Guarantees

Purchasing, installing and caring for your Imperial bathroom

The Imperial Bathroom Company ("Imperial") recommends that all products are purchased with the assistance of a specialist bathroom retailer and always installed by an experienced installer who is a member of a recognised plumbing association. A list of bathroom retailers is available from our sales office and many retailers who display the Imperial product ranges can offer a complete design and installation service or will be able to recommend a qualified installer.

Imperial's sanitaryware products are produced to the most demanding standards set by any manufacturer in the industry and each piece can be subject to as many as 15 individual quality control checks during production. Notwithstanding the high quality finishes achieved in the Imperial factory, all sanitaryware is subject to the limitations of the ceramic manufacturing process. Unlike machine finished products, natural clay based products shrink and move during firing and because it is not possible to control this process absolutely, minor variations in the dimensional stability of finished products will occur. In most instances this is not noticeable and will have no significant effect upon the installation or the look of the finished bathroom.

Important, please note the following:

(I) Sizes

All sizes quoted in this brochure are nominal. Actual ceramic sizes may vary by + or - 2% against the figures quoted in our technical data.

When planning installations where dimensions are critical it is essential that the space allowed for individual items is physically checked with the products to be installed.

(II) Fitting Basins to Vanity Units

This presents the installer with a common situation where the machine finished vanity unit is designed in order to obtain the optimum fit between the unit and the ceramic basin. Fillets provided on the top edges of the unit are reshaped to accommodate the basin. Once the basin has been fitted in this way it should be bedded onto the unit using silicon sealer to ensure that a watertight seal is achieved.

Semi recessed basins and inset vanity basins must also be sealed between the ceramic surface and the furniture surface using silicon sealer.

(III) Wood Finishes

All natural wood finishes mature with age and colours may vary slightly from batch to batch. It is therefore not always possible to achieve a precise colour match. Imperial's products utilise natural materials and therefore the appearance of the visual properties typical of such materials are to be expected in the finished product.

(IV) Vitreous China

These are extremely hard, non-porous products; but are also brittle and therefore must not be put under stress during installation. Basin waste fittings when over tightened can create stress within the ceramic material which may in time cause the failure of the product. Waste fittings should be carefully bedded in silicon and the back

nut hand tightened. One additional quarter turn using a suitable spanner is sufficient to create the required watertight seal.

Care should also be taken when fitting brassware to tap platforms in order to prevent similar stress related failures.

All products should be inspected before installation.

(V) Cistern Flushing

All Imperial WC pans and cisterns flush at 6 litres in compliance with European requirements. Our cisterns and pans are carefully balanced to provide the best possible flush. All of our cisterns are priced to include the flush fitting, levers and flush pipes. These have been carefully selected and tested. We are therefore unable to accept responsibility for poor or non flushing situations where these items have been changed or fitted incorrectly.

(VI) Acrylic Baths

Acrylic bath sizes are nominal and should be checked initially against technical data. For example, baths are often quoted as being 1700mm x 750mm but this can often relate to an actual size such as (for example) 1675mm x 735mm. The final size often depends on the degree of detail incorporated in the design.

All baths should be carefully inspected before installation. When installing a bath with a panel, care should be taken to ensure that the bath is properly supported by the adjustable feet and not by the bath rim. If the bath is being fixed to a wall, ensure that the wall brackets supplied are properly utilised to secure the bath.

A flexible sealer should be used between bath edge and wall as well as between bath edge and panel or plinth. Imperial recommends filling the bath prior to sealing to ensure a secure seal that will withstand the additional loads that a full bath will be subjected to.

(VII) Plating

All items supplied with a plated finish has been plated in the UK and the quality of plating complies with British and European Standards relating to the products concerned. Plated products are easy to look after, but it is important that cleaning instructions are followed carefully to ensure a long and trouble free life. Please refer to the "Looking after your bathroom" section of our product information for best practices on plated finishes.

(VIII) Furniture

Imperial furniture is produced from a combination of solid wood and real wood veneer panels, and all sizes quoted are nominal and must be checked against actual product. The timber used is supplied from renewable sources and whilst every care is taken in the manufacture of wooden products inevitably there will always be variations in both colour and grain pattern between individual pieces - indeed this is part of the beauty and unique appeal of using a natural material. Where frosted glass is a feature, only toughened safety glass is used.

(IX) Cast Iron Baths

During manufacture a thick coat of powder enamel is fused onto the internal surface of the red hot cast iron. This long established process can however produce ripples, small dimples and specks on the surface which are indeed part of the character and appeal of this type of product - the performance of the bath is however not affected. The outer surface is factory finished to a high standard requiring only the application of a bathroom specified paint. To maintain the appearance, rinse immediately after use and dry with a soft cloth. It is important to clean regularly with a VEA approved (Vitreous Enamel Association) cleaning compound that is applied only with a soft cloth. Dripping taps should be avoided.

(X) Bar Pressures

Poulie, Cisne, Globo, Cou, Niveau, Gioiello, Glace, Notte, Pre, Vuelo, Bec and Lierre products are only suitable for high pressure/pumped water systems (1-3 Bar).

Edwardian, Westminster and crown Lever products are suitable for systems 0.5 Bar. Where these products are to be installed in a high pressure situation it will be necessary to install a pressure reducing valve.

Victorian products are suitable for use in a low pressure situations 0.2 Bar. Where these products are to be installed in a high pressure situation it will be necessary to install a pressure reducing valve.

(XI) Natural Stone and Composite work surfaces and baths

Stone / Marble Products

Each marble/granite top has been produced from a solid piece of natural stone and as such, you should expect each piece to be somewhat individual and feature natural grains and small sand holes - this gives each piece its own character and uniqueness and is not a reflection of poor quality or sub-standard materials or craftsmanship.

Composite Products

Solid surface work tops are produced from the finest raw materials to the highest standards. Although the product has been designed for the bathroom, we recommend that the tops are looked after as per the instructions supplied with the product.

Please be aware that Bath Bombs and Hair Dye can permanently discolour the materials and are excluded from any manufacturing warranty. Please always inspect the product prior to fitting.

(XII) Basin stands

Basin stands are produced by hand and slight imperfections on the surface detail are normal due to the material and the manufacturing process.

(XIII) The Hardwick glass legs

The Hardwick glass legs are manufactured from Borosilicate 3.3 glass, 30mm diameter - Not toughened.

(XIV) Tiles

Tiles have been manufactured from the finest blend of natural materials and glazes, due to the manufacturing processes involved some small deviations in size and shade may occur. In order to obtain the best blend, we recommend taking tiles from a number of boxes on application. To obtain the best appearance, we recommend a minimum 3mm grout line. It is vital to use only waterproof adhesives and grouts.

The 'crackle' glaze used is made to simulate the look of tiles manufactured in the 1920's and 30's. The glaze may continue to further crackle after installation but is a surface finish only and will not affect the structural integrity of the body of the tile.

Imperial recommends the use of a water cooled cutter with diamond blade for cutting.

Technical details of Antique Crackle wall tiles

Size (cm)	Pieces/box	m ² /box	Kgs/box
13x13	30	0.5	8.65
6.5x13	60	0.5	9.10

Technical details of Plaza wall tiles

Size (cm)	Pieces/box	m ² /box	Kgs/box
7.5x15	44	0.52	7.04
15x15	22	0.51	7.30

Technical details of Georgian wall tiles

Size (cm)	Pieces/box	m ² /box	Kgs/box
13x26	15	0.5	8.95
13x26	15	0.5	8.85
3x3 180	N/a	2.70	

Technical details of Georgian floor tiles

Size (cm)	Pieces/box	m ² /box	Kgs/box
13x52	8	0.54	14.0

Technical details of Elizabethan floor tiles

Size (cm)	Pieces/box	m ² /box	Kgs/box
30x30	15	1.35	24.30
20x20	30	1.16	21.11
3.5x3.5	180	N/a	4.02

Technical details of Tudor floor tiles

Size (cm)	Pieces/box	m ² /box	Kgs/box
30x30	15	1.35	24.30
30x30 (mosaic)	6	0.54	4.30

Technical details of Edwardian wall tiles

Size (cm)	Pieces/box	m ² /box	Kgs/box
30x60	6	1.08	17.3

Technical details of Edwardian floor tiles

Size (cm)	Pieces/box	m ² /box	Kgs/box
33x33	11	1.22	21.6

Design

The substrate must be suitable for the intended use of the flooring especially if intended for heavy loads.

It is essential to provide for the use of expansion joints, especially for large areas.

Before tiling

Lay approximately 3-4 m² of material on the ground, taking the tiles from different boxes and checking that they comply with the order. Check that the colour, gauge and quality are the same.

Please remember we cannot accept complaints after tiles have been laid. In fitting the tiles the consumer has signified that the products are deemed acceptable in terms of quality and finish.

Tiling

We recommend that an adequate joint is always left between the tiles (minimum 2-3 mm), if necessary be sure to allow for expansion joints for large surfaces.

The tiling criteria must comply with the intended use of the flooring.

The tiles can be laid with either adhesives or cement-based mortar.

If adhesives are to be used, the surface must be perfectly level and prepared to ensure the tiles will be correctly anchored.

Follow the manufacturer's recommendations scrupulously regarding the choice and the application of the adhesive.

When tiling, remember to take tiles from several boxes in order to mix them.

Do not use marker pens to mark where tiles are to be cut, especially if they are permanent markers.

Grouting joints

Only waterproof grouts and adhesives should be used in the fitting of Imperial's tile ranges.

Should you intend to apply a coloured grout, only use pre-packed products; it is important to follow carefully the manufacturer's instructions for use.

We always recommend paying particular attention when grout in a contrast colour is to be used (e.g. pale tiles and dark coloured grouts such as black, dark blue or red). In this instance, it is advisable to test it on some loose tiles first before using it.

We are not liable for tiles that have been stained by coloured grouts, as this problem only occurs if the grout has not been applied correctly.

Cleaning after tiling

After the tiles have been laid and grouted the floor must be carefully cleaned to remove the calcium-cement residue from grouting. Only clean a small area of 1m² at a time using a phosphoric-hydrochloric acid buffer, scale-remover, which should be correctly diluted in water; then rinse with clean water several times and remove the residue water with a vacuum. A small area should be tested first prior to applying to the entire laid surface. Imperial cannot be held liable for damage sustained to tiled surfaces if this process is not followed.

Protecting the floor during completion work on-site

We recommend protecting the floor, which should be perfectly clean and dry, using sheets of PVC and Airballs to prevent damage to the floor during the completion of any work on-site.

LOOKING AFTER YOUR BATHROOM

The glazed finish of your sanitaryware should be cleaned after use by applying a small amount of non-abrasive cream-type cleaner. Apply using a sponge or damp cloth and rinse thoroughly with clean water. Cleaners containing abrasive materials should be avoided.

All surfaces which are Chrome, Gold or Nickel plated should be cleaned with warm soapy water and dried with a soft cloth. Under no circumstances should bleach, de-scaling solutions, abrasive cleaning products, polishes, or detergent be used on plated surfaces. In particular, should these materials be used on gold plated items it is possible that the surface will be damaged.

Acrylic baths should be cleaned using similar non-abrasive cleaners.

Bathroom furniture, seats and bath panels can be wiped over with a damp cloth and dried with a soft duster.

The use of polishes containing silicon or any abrasive materials can damage the wood finish. Natural wax polishes should be used sparingly and applied using a soft dry cloth.

Stone / Marble - Each piece of stone/marble has been polished but will require regular maintenance with appropriate care and sealant products as this is a natural stone product. Care and installation instructions are supplied with the product but also available on line

Using the right ongoing care products will facilitate the cleaning process and will maintain a fresher appearance of your stone surfaces. We recommend that you re-treat your purchase on a quarterly or six-monthly basis dependant upon use. For very heavy use (restaurants, hotels etc), we recommend even more frequent applications. Stone care products should always be tested as to their effectiveness and their compatibility to the surface in a small, inconspicuous area. All surfaces should be regularly cleaned with a soft, lint-free damp cloth. Marble and other limestones will be damaged when exposed to acidic substances (cement residue remover, bathroom cleaners, vinegar, ketchup, wine, cola, fruit juices, liquid soap, soap blocks, toothpaste, perfume etc.) - please avoid. For more unusual kinds of dirt and blemishes (e.g. paint, wax, grease, oil, tar, algae, etc.) you should only use special proprietary cleaning products. These are readily available from specialist outlets. For further guidance, we recommend that you contact 'Lithofin' at www.lithofin.co.uk.

MANUFACTURING POLICY

1. The policy of Imperial is one of continuous improvement. We therefore reserve the right to alter or amend specifications/dimensions and prices without notice and to withdraw specific items/colours without notice.
2. Colour reproduction in this brochure is as accurate as the variables in photographic and printing process will allow and specific colours may vary from actual products.
3. Great care is taken to ensure that products supplied by Imperial are supplied to you in perfect condition. Your purchases should, however, be checked for manufacturing defects (or damage) before any installation work is carried out. We are unable to accept responsibility for any defect which was evident before or has occurred as a result of installation.

GUARANTEES (UK AND IRELAND)

All guarantees offered are subject to the products being installed, cleaned and maintained in accordance with Imperial's guidelines. Any deviation from the advised installation methods, care and maintenance recommendations could result in the guarantee becoming invalid.

1. Vitreous china manufactured by Imperial carries a lifetime guarantee against failure caused by manufacturing defects. Products manufactured from Fireclay carry a 10 year guarantee against failure caused by manufacturing defects.
2. Imperial taps and mixers are guaranteed against manufacturing defects for 5 years excluding plated surfaces and replaceable parts which are subject to normal use i.e. washers, ceramic discs and moving parts.
3. Imperial furniture, seats and panels are guaranteed against manufacturing defects for a period of 2 years from installation. Discoloration of the seat due to the use of Bleach / fake tan or any strong cleaning products will void any warranty.
4. Imperial acrylic and cast iron baths carry a 20 year guarantee on manufacturing defects. The Windsor baths collection (manufactured from composite material) carry a 10 year guarantee on manufacturing defects. Imperial will not be liable for any claims relating to fair wear and tear or damage caused by impacts to the bath surface i.e. from shower handsets, bath wastes, toiletries containers etc.
5. **WORK SURFACES**
All Natural stone and marble products carry a 2 year guarantee against manufacturing defects; no guarantee is offered against staining/ discolouration as this is a natural product. All Solid Surface work surfaces carry a 10 year warranty against manufacturing defects. no guarantee is offered against staining/ discolouration
6. Tiles carry a 5 year guarantee against manufacturing defects; no guarantee is offered against staining/ discolouration.
7. Basin stands carry a 5 year guarantee against manufacturing defects excluding plated finishes.
8. Radiators carry a 2 year guarantee against manufacturing defects excluding plated finishes or electric heating elements.

MAKING A CLAIM

To make a claim under the guarantee the following conditions must be met:

1. Proof of purchase should be supplied at the time of the claim.
2. The product should have been fitted in accordance with Imperial's fixing instructions, current UK Water Regulations and general good plumbing practice.
3. The product should have been used for its sole design purpose and maintained in accordance with Imperial's care instructions. Imperial cannot accept responsibility for the failure of a product if it has been modified, misused, neglected or wilfully or accidentally damaged.
4. Imperial reserves the right to request photographic evidence to support your claims.

Imperial must be given reasonable opportunity to inspect the product in the installed situation. If removed the product should be retained for inspection.

5. Imperial's policy is one of continuous improvement. If the claim under the guarantee is found by Imperial to be valid, Imperial will offer a free replacement of the affected product. If the product has failed under the terms of the guarantee and a replacement is offered, but identical goods are no longer available, Imperial will replace the product with the nearest equivalent.
6. Liability is limited to individual products and does not cover consequential loss or damage on installations.
7. Imperial will not bear costs for repairs or replacements where the product fault is due to the following:
 - Accidental or malicious damage
 - Improper and/or inappropriate use
 - Negligence
 - General wear and tear
 - Damage due to poor installation or servicing
 - Where modifications have been made to the product
 - Where the product has not been used for its sole purpose

This guarantee does not affect your statutory rights.



MADE IN BRITAIN



Customer Care and Guarantees

Purchasing, installing and caring for your Imperial bathroom

ENGLISH

Guarantees and Customer Care, Terms and Conditions

SALES ORDERS

All orders must be faxed to Imperial (+44 1922 743180) or sent by e-mail export@imperial-bathrooms.co.uk. Unfortunately we are unable to accept verbal orders. The Buyer must acknowledge that he is aware of Imperial's Selling Terms and Conditions when placing the order. Cancelled Orders must be done in writing (by fax or e mail) to the sales office. If the order has been shipped or has been delivered, then there will be a 30% re-stocking fee applicable.

DELIVERY

Subject to stock availability, we would expect to ship the goods from our warehouse within 5 working days. If we are unable to ship the order complete, then we will ship the goods as soon as all items are available.

The Sales office will keep you informed of your order status, and if you have any questions then please call the sales office on +44 1922 743074.

If a delivery has missing or damaged items, then you must inform in writing the sales office within 3 working days of receiving the goods (by fax or e mail). Failure to declare this within this timescale will make the claim void.

RETURNS

No goods can be returned to Imperial without authorization. Please inform the sales office of any returns, and obtain a Return Material Authorisation Number. Imperial will then contact you to make arrangements to have the goods returned.

TERMS & CONDITIONS

Please contact the Sales office for a set of our Terms and Conditions. These terms and conditions are governed by the laws of England and Wales and each party submits to the jurisdiction of the English Courts.

Other Conditions are as laid out by the Selling Contract & letter of introduction by Imperial

INSTALLATION & TECHNICAL SPECS

We recommend that all products are purchased with the assistance of a specialist bathroom retailer and always installed by an experienced installer who is a member of a recognised plumbing association. A list of bathroom retailers is available from our sales office and many retailers who display the Imperial product ranges can offer a complete design and installation service. Imperial Bathrooms Sanitaryware products are produced to the most demanding standards and each piece can be subject to as many as 15 individual quality control checks during production. Notwithstanding the high quality finishes achieved in the Imperial factory, all Sanitaryware is subject to the limitations of the ceramic manufacturing process. Unlike machine finished products, natural clay based products shrink and move during firing and, because it is not possible to control this process absolutely, minor variations in the dimensional stability of finished products will occur. In most instances this is not noticeable and will have no significant effect upon the installation or upon the look of the finished bathroom, but in any event these variations are normal and to be expected.

For further Technical Information and Dimensions please go to www.imperialbathroom.com or contact the sales office on +44 1922 743074

All products should be inspected before installation.

(i) Sizes all sizes quoted in this brochure are nominal. Actual ceramic sizes may vary by + or - 2% against the figures quoted in our technical data. When planning installations where dimensions are critical it is essential that the space allowed for individual items is physically checked with the products to be installed.

(ii) Wood Finishes - All natural wood finishes mature with age and Colours may vary slightly from batch to batch or from panel to panel. It is therefore not always possible to achieve a precise colour match when additional items are added at a later date.

(iii) Vitreous China These are extremely hard, non-porous products; but are also brittle and therefore must not be put under stress during installation. Basin waste fittings when over tightened can create stress within the ceramic material which may in time cause the failure of the product. Waste fittings should be carefully bedded in silicon and the back nut hand tightened. One additional quarter turn using a suitable spanner is sufficient to create the required watertight seal. Care should also be taken when fitting brassware in order to prevent similar stress related failures.

(iv) Cistern Flushing - All Imperial Bathrooms WC pans and cisterns flush at 6 litres in compliance with European EN Standards

(v) Acrylic Baths - Acrylic bath sizes are nominal the final size often depending on the degree of detail incorporated in the design. All baths should be carefully inspected before installation.

(vi) Gold & Nickel plating all items supplied in Antique Gold or Nickel finish have been plated in the UK and the plating complies with British and European Standards relating to the products concerned. These special order items can not be returned to Imperial

(vii) Furniture - Imperial Bathrooms furniture is produced from a combination of solid wood and wood veneer panels, and all sizes quoted are nominal and must be checked against actual product. The timber used is supplied from renewable sources and whilst every care is taken in the manufacture of wooden products inevitably there will always be variation in both colour and grain pattern between individual pieces - indeed this is part of the beauty and unique appeal of using a natural material. Where frosted glass is a feature, only toughened safety glass is used.

(viii) Cast Iron Baths - During manufacture a thick coat of powder enamel is fused onto the internal surface of the red hot cast iron. This long established process can however produce ripples, small dimples and specks on the surface which are indeed part of the character and appeal of this type of product and it is normal and to be expected - the performance of the bath is however not affected.

(ix) Bar Pressures - The recommended operating pressure for taps, mixers and shower valves is from 0.3 Bar to 5 Bar. If the pressure is higher, a pressure reducing valve should be incorporated within the system.

(x) Tiles your tiles have been manufactured to simulate the look, (size, shape, colour, thickness, tone of glaze) of a hand made tile and, as such, are all different in appearance from each other. In order to obtain the best blend, we recommend taking tiles from a number of boxes on application. To obtain the best appearance, we recommend a 3mm grout line. Use only waterproof adhesives and grouts. For Further Technical Data and for further installation instructions on the Tiles please contact the sales office on +44 1922 743074

(xi) Basin stands are produced by hand and slight imperfections on the surface detail are normal due to the material and the manufacturing process.

(xii) The Hardwick glass legs are manufactured from Borosilicate 3.3 glass, 30mm diameter - Not toughened

LOOKING AFTER YOUR BATHROOM

Sanitaryware -The glazed finish of your Sanitaryware should be cleaned after use by applying a little cream-type cleaner. Apply using a sponge or damp cloth and rinse thoroughly with clean water. Cleaners containing abrasive materials should be avoided.

Antique Gold, Chrome or Nickel plated brassware and taps should be cleaned with warm soapy water and dried with a soft cloth. Under no circumstances should bleach or abrasive cleaning products, polishes, or detergent be used on plated surfaces and in particular should these materials be used on Nickel or Gold plated items it is possible that the surface will be damaged.

Acrylic baths should be cleaned using similar non abrasive cleaners.

Bathroom vanity furniture, Seats and Bath Panels can be wiped over with a damp cloth and dried with a soft duster. The use of polishes containing silicon or any abrasive materials can damage the wood finish. Natural wax polishes should be used sparingly and applied using a soft dry cloth.

Stone / Marble - To assist you in use, each piece of stone/marble has already been pre-sealed but will require regular maintenance with appropriate care and sealant products. We have used a special impregnation which optimally protects absorbent, stain-sensitive natural stone surfaces. It largely prevents the penetration of oil, greases, and water and makes further maintenance easier. Using the right ongoing care products will facilitate the cleaning process and will maintain a fresher appearance of your stone surfaces. We recommend that you re-treat your purchase on a quarterly or six-monthly basis dependant upon use.

Tiles should be cleaned by washing with warm water to which a neutral, clear, low sulphate detergent has been added. After cleaning, rinse well with clean water and polish with a clean soft dry cloth.

MANUFACTURING POLICY

1. The policy of the Imperial Bathroom Company is one of continuous improvement. We therefore reserve the right to alter or amend specifications/dimensions and prices without notice and to withdraw specific items/Colours without notice.

2. Colour reproduction in this brochure is as accurate as the variables in photographic and printing process will allow and specific colours may vary from actual products.

3. Great care is taken to ensure that products supplied by The Imperial Bathroom Company are supplied to you in perfect condition. Your purchases should, however, be checked for manufacturing defect (or damage) before any installation work is carried out. We are unable to accept responsibility for any defect which was evident before or has occurred as a result of installation.

GUARANTEES (EXPORT)

1. Vitreous china manufactured by the Imperial Bathroom Company carries a Twenty Five Year guarantee against failure caused by manufacturing defect.

2. Imperial taps, mixers, Accessories, Shower Valves are guaranteed against manufacturing defects for One Year, this excludes plated surfaces and replaceable parts which are subject to normal use i.e. washers.

3. Imperial Bathrooms vanity furniture is guaranteed against manufacturing defects for a period of One Year from installation.

4. All Imperial Bathrooms baths carry a 5 years guarantee against manufacturing defects.

5. All components incorporated in Hydro Jet Whirlpool Systems are guaranteed for One Year.

6. All stone and marble products carry a One Year guarantee against manufacturing defects and does not guarantee against staining / discolouration.

7. Tiles carry a One Year guarantee against manufacturing defects and does not guarantee against staining / discolouration.

8. Radiators carry a 2 year guarantee against manufacturing defects excluding plated finishes or electric heating elements.

MAKING A CLAIM UNDER WARRANTEE

To make a claim under the guarantee the following conditions must be met:

1. Proof of purchase should be supplied at the time of the claim.

2. Product should have been fitted in accordance with our fixing instructions, EN Standards and general good plumbing practice.

3. We need to ensure that the product has been maintained and cared for in accordance with our Care Instructions. We cannot accept responsibility for the failure of a product if it has been modified, misused, neglected or willfully or accidentally damaged. It should have been used for its sole design purpose

4. We must be given reasonable opportunity to inspect the product in the installed situation. If removed the product should be retained for inspection.

5. Our policy is one of continuous improvement. If the product has failed under the terms of the guarantee and a replacement is offered, but identical goods are no longer available, we will replace with the nearest equivalent.

6. This guarantee applies only to the single product in question and not to the whole bathroom suite.

7. We will not bear costs for repairs or replacements where the product fault is due to the following: Accidental or malicious damage, Improper use, Negligence, General wear and tear, Damage due to poor installation or, servicing or consequential loss, Where modifications have been made to the product, Where the product has not been used for its sole purpose, Inappropriate use.

8. These terms and conditions are governed by the laws of England and Wales and each party submits to the jurisdiction of the English Courts.

9. To the extent permitted by applicable law, other than the express warranty set forth in these terms and conditions, we (or any other third-party supplier) make no additional warranties, expressed or implied, and disclaim all implied warranties, whether in fact or by operation of law, statutory or otherwise, including warranties or conditions of merchantability and fitness for particular purpose. Any warranties that may not be disclaimed under applicable law are limited in duration to the warranty period. No warranties, expressed or implied, will apply after this period. In no way will we (or any third party supplier) be liable for any special, indirect, incidental or consequential damages, losses costs of expenses, however arising, whether in contract or tort, including without restriction, any economic losses of any kind, any loss or damage to property, any labour costs of refitting the product, any personal injury, any damage or injury arising from or as a result of misuse or abuse, or the incorrect installation, integration or operation of the product. We neither assume nor authorize any other person to accept any liability in connection with repair or replacement of the product. And we limit any claim to the value of replacement goods only and not any consequential charges (such as plumbing Costs).

10. Warranty is not transferable and applies only to the original purchaser / retailer.

For technical drawings & sizes, please refer to our technical website : www.imperialbathroom.com

FRANÇAIS

Garanties, Services Client et conditions de vente

COMMANDES

Toutes les commandes doivent être envoyées par télécopieur à Imperial (+44 19 22 74 31 80) ou par e-mail export@imperial-bathrooms.co.uk. Nous regrettons de ne pouvoir accepter les commandes verbales. Au moment de passer la commande, l'acheteur doit convenir qu'il est informé des conditions de vente d'Imperial. L'annulation des commandes doit être faite par écrit (par télécopieur ou par e-mail) et transmise au bureau de vente. Si la commande a été expédiée ou livrée, il sera appliqué 30% pour frais de restockage.

LIVRAISON

Sous réserve de disponibilité des stocks, nous anticipons d'expédier les marchandises de notre dépôt dans les 5 jours ouvrables. Si nous ne sommes pas en mesure d'expédier la commande intégrale, nous expédierons les marchandises dès que tous les articles seront disponibles. Le bureau de vente vous tiendra au courant des progrès de votre commande. Pour toutes questions complémentaires, veuillez appeler le bureau de vente au n° +44 19 22 74 30 74. S'il y a des articles manquants ou endommagés dans la livraison, vous devez informer le bureau de vente dans les 3 jours ouvrables qui suivent la réception des marchandises (par télécopieur ou par e-mail. Si cela n'est pas déclaré dans le délai requis, la réclamation sera nulle et non avenue.

RETOURS

Aucun article ne peut être retourné à Imperial sans autorisation. Veuillez informer le bureau de vente de tout retour, et obtenir un numéro d'autorisation de retour d'article. Imperial vous contactera afin de préciser les dispositions requises pour le retour des articles.

CONDITIONS DE VENTE

Pour obtenir une documentation de nos Conditions de vente, veuillez contacter le bureau de vente. Ces conditions de vente sont régies par les législations de l'Angleterre et du Pays de Galles, et chaque partie doit se soumettre à la juridiction des tribunaux anglais.

D'autres conditions sont stipulées dans le contrat et de vente et la lettre de présentation d'Imperial

INSTALLATION ET CARACTÉRISTIQUES TECHNIQUES

Nous recommandons que tous les produits soient achetés en faisant appel à l'assistance d'un revendeur spécialisé dans les articles pour salles de bains, et qu'ils soient toujours installés par un installateur chevronné faisant partie d'une association de plombiers réputée. Pour obtenir une liste des revendeurs de salles de bains, prière de vous adresser à notre bureau de vente ; de nombreux revendeurs qui présentent les gammes de produits Imperial sont en mesure de proposer un service complet d'étude et d'installation. Les produits sanitaires pour salles de bains Imperial sont fabriqués selon les normes les plus rigoureuses, et chaque article fait l'objet de quinze contrôles de qualité individuels pendant la production. Exception faite des finitions de haute qualité réalisées par l'usine Imperial, tous les articles sanitaires sont soumis aux limitations du procédé de fabrication de la céramique. Contrairement aux produits finis machine, les produits fabriqués à base d'argile naturelle se rétractent et se déforment pendant la cuisson, et comme il n'est pas possible de complètement maîtriser ce processus, des variations mineures peuvent apparaître dans la stabilité dimensionnelle des produits finis. Dans la plupart des cas, ceci n'est pas apparent et n'aura aucune conséquence importante lors de l'installation, ou dans l'esthétique de la salle de bains finie, mais en tous cas, ces variations sont normales et peuvent être anticipées.

Pour tous renseignements techniques complémentaires et tous renseignements sur les dimensions, veuillez consulter www.imperialbathroom.com ou contactez le bureau de vente au n° +44 19 22 74 30 74

Il faut inspecter tous les produits avant l'installation.

(i) **Dimensions:** Toutes les dimensions indiquées dans cette brochure sont nominales. La taille réelle de la céramique présente des variations de + ou - 2% par rapport aux chiffres indiqués dans nos caractéristiques

techniques. Pour préparer une installation où les dimensions sont critiques, il est essentiel de contrôler physiquement l'espace prévu pour chaque article et le comparer avec les produits à installer.

(ii) **Finitions bois:** Toutes les finitions en bois naturel s'affinent en vieillissant et les couleurs peuvent légèrement varier d'un lot à l'autre ou d'un panneau à l'autre. Par conséquent, il n'est pas toujours possible d'obtenir une correspondance précise des coloris lorsque des articles supplémentaires sont ajoutés ultérieurement.

(iii) **Porcelaine:** Les produits en porcelaine vitrifiée sont extrêmement durs et non poreux, mais également fragiles. Par conséquent, ils ne doivent pas être soumis à des contraintes au cours de l'installation. Si la robinetterie pour lave-mains est trop serrée, cela risque de créer des contraintes dans le matériau en céramique et éventuellement, la défaillance du produit. Les bondes doivent être soigneusement posées dans du silicone, et le contre-écrou doit être serré à la main. Il suffit de le tourner d'un quart de tour supplémentaire avec une clé appropriée pour créer l'étanchéisation requise. Agir également avec précaution pour poser la robinetterie en laiton afin d'éviter toutes déformations liées aux contraintes.

(iv) **Chasses d'eau:** Toutes les cuvettes WC et tous les réservoirs de chasse Imperial Bathrooms évacuent 6 litres d'eau en conformité aux normes EN européennes.

(v) **Baignoires acryliques:** Les dimensions des baignoires acryliques sont nominales. La taille finale dépend souvent du galbe et des finitions incorporés dans le modèle. Il faut soigneusement examiner toutes les baignoires avant l'installation.

(vi) **Placage doré ou nickelé:** Tous les articles fournis en finition dorée Antique Gold ou nickelée sont placés en Grande-Bretagne et le placage est conforme aux normes britanniques et européennes relatives aux produits en question. Ces articles sur commande spéciale ne peuvent pas être retournés à Imperial.

(vii) **Meubles:** Les meubles Imperial Bathrooms sont fabriqués dans un ensemble de bois massif et de panneaux bois contreplaqués. Toutes les dimensions mentionnées sont nominales et doivent être vérifiées par rapport au produit réel. Le bois utilisé provient de sources renouvelables et bien que toutes les précautions aient été prises dans la fabrication des produits en bois, il y aura inévitablement des variations de la couleur et du grain du bois d'un article à l'autre ; en fait, ces variations font parties de la beauté du produit et l'esthétique exclusif d'un matériau naturel. Si du verre dépoli est incorporé, on n'utilise que du verre de sécurité trempé.

(viii) **Baignoires en fonte:** Au cours de la fabrication, une couche épaisse d'émail au poudré est fondue sur la surface interne de la fonte chauffée au rouge. Mais ce processus établi de longue date peut produire des rides, des petites dépressions et des mouchetures à la surface, qui font en fait partie du caractère et de l'attraction de ce type de produit. Ceci est normal et prévu, et n'altère pas la performance de la baignoire.

(ix) **Pressions en bars:** La pression de service recommandée pour les robinets, mélangeurs et mitigeurs de douche varie de 0,3 à 5 bars. Si la pression est supérieure, il faudra incorporer un détendeur de pression dans le système.

(x) **Carrelage:** Vos carreaux ont été fabriqués pour simuler l'aspect (dimensions, forme, couleur, épaisseur, ton du vernissage) d'un carreau fait main et à ce titre, ils présentent tous un aspect différent les uns des autres. Afin d'obtenir un nuancier harmonieux, nous recommandons de prendre des carreaux provenant de plusieurs cartons différents pour votre application. Nous recommandons un joint de 3 mm pour donner la meilleure présentation esthétique. Utiliser uniquement des adhésifs et des joints imperméables. Pour toutes caractéristiques techniques complémentaires, et pour des instructions complètes pour l'installation des carrelages, veuillez contacter le bureau de vente au n° +44 19 22 74 30 74.

ENTRETIEN DE VOTRE SALLE DE BAINS

Sanitaires: Pour nettoyer la finition émaillée de vos sanitaires après usage, appliquer un peu de produit de nettoyage de type crème. L'appliquer avec une éponge

ou un chiffon humide, puis rincer soigneusement à l'eau du robinet. Éviter les produits de nettoyage contenant des matériaux abrasifs.

Robinetterie et accessoires dorés Antique Gold, chromés ou nickelés: Les nettoyer à l'eau chaude savonneuse, puis les sécher avec un chiffon doux. Il ne faut en aucun cas utiliser de javel ou de produits de nettoyage abrasifs, de polish ni de détergent sur les surfaces plaquées. À noter que si ces produits sont utilisés sur des articles nickelés ou dorés, la surface risque d'être endommagée.

Baignoires acryliques: Nettoyer ces baignoires avec des produits de nettoyage non abrasifs similaires.

Meubles sous vasque pour salles de bains, sièges et panneaux de baignoires: On peut les essuyer avec un chiffon humide, puis les sécher avec un chiffon sec doux. L'utilisation de polish contenant du silicone ou des matériaux abrasifs risque d'abîmer la finition du bois. Utiliser en très petite quantité les polish à cire naturelle avec un chiffon doux et sec.

Pierre / Marbre: Pour vous aider à les utiliser, chaque dalle de pierre / marbre est déjà pré-étanchéisée, mais il faut les entretenir à intervalles réguliers en prenant les précautions et en utilisant des produits d'étanchéisation appropriés. Nous avons utilisé un produit d'imprégnation spécial qui protège les surfaces en pierre naturelle absorbantes et sensibles aux taches de manière optimale. Il empêche essentiellement l'huile, les graisses et l'eau d'y pénétrer, et facilite toutes les autres opérations d'entretien. L'utilisation de produits d'entretien modernes et appropriés facilitera le processus de nettoyage et permettra aux surfaces en pierre de conserver un bel aspect plus frais. Nous recommandons de refaire le conditionnement de l'article acheté tous les trois mois ou tous les six mois selon l'intensité d'usage.

Carrelages: Pour nettoyer les carreaux, les laver à l'eau chaude dans laquelle on aura ajouté un détergent neutre, transparent et à faible teneur en sulfate. Après le nettoyage, bien les rincer à l'eau propre, puis les faire briller avec un chiffon propre, doux et sec.

POLITIQUE DE FABRICATION

1. La politique de The Imperial Bathroom Company est de poursuivre le perfectionnement continu de nos produits. Nous nous réservons le droit de modifier ou changer les caractéristiques / dimensions et prix sans préavis, et de retirer des articles / couleurs spécifiques sans préavis.

2. Dans cette brochure, la reproduction des couleurs est aussi exacte que le permettent les paramètres du processus de la photographie et de l'impression.

3. The Imperial Bathroom Company prend toutes les précautions pour s'assurer que les produits qu'elle vous fournit sont en parfait état. Toutefois, il faut contrôler les produits achetés afin de rechercher tout vice (ou dommage) de fabrication avant d'effectuer les travaux d'installation. Nous déclinons toute responsabilité pour tout défaut qui était visible avant ou s'est produit à la suite de l'installation.

GARANTIES (EXPORTATIONS)

1. La porcelaine vitrifiée fabriquée par The Imperial Bathroom Company est garantie vingt-cinq ans contre toute défaillance causée par un vice de fabrication.

2. Les robinets, mélangeurs, accessoires et mitigeurs de douche sont garantis un an contre tout vice de fabrication. Cette garantie exclut les surfaces plaquées et les pièces remplaçables qui sont soumises à un usage normal (ex. rondelles).

3. Les meubles pour salles de bains Imperial Bathrooms sont garantis un an contre tout vice de fabrication à partir de leur installation.

4. Toutes les baignoires Imperial Bathrooms sont garanties 5 ans contre tout vice de fabrication.

5. Tous les composants incorporés dans les systèmes de baignoires balnéo Hydro Jet Whirlpool sont garantis un an.

6. Tous les produits en pierre ou en marbre sont garantis un an contre tout vice de fabrication, mais ne sont pas garantis contre les taches / la décoloration.

7. Les carrelages sont garantis un an contre tout vice de fabrication, mais ne sont pas garantis contre les taches

/ la décoloration.

8. Les radiateurs ont une garantie de 2 ans pour tous problèmes de fabrication. Cela exclut tout problème de finitions, de plaquages et de système électrique.

RECLAMATIONS AUX TERMES DE LA GARANTIE IMPERIAL

Pour faire une réclamation aux termes de la garantie, il faut satisfaire aux conditions suivantes:

1. Accompagner la réclamation d'un justificatif d'achat.

2. Le produit doit avoir été installé conformément à nos instructions de fixation, aux normes EN et aux bonnes pratiques générales de plomberie.

3. Nous devons nous assurer que le produit a été entretenu et maintenu conformément à nos instructions d'entretien. Nous déclinons toute responsabilité pour la défaillance d'un produit si celui-ci a été modifié, a subi un usage négligent ou abusif ou a été délibérément ou accidentellement endommagé. Il doit avoir été utilisé uniquement dans le but pour lequel il est conçu.

4. Nous devons pouvoir bénéficier de toute possibilité raisonnable d'inspecter le produit dans la situation où il est installé. Si le produit est retiré, il faut le conserver pour l'inspection.

5. Notre politique est de poursuivre le perfectionnement continu de nos produits. Si un produit est défectueux aux termes de la garantie et qu'un remplacement soit proposé, mais que des articles identiques ne soient plus disponibles, nous le remplacerons par l'article équivalent le plus proche.

6. Cette garantie ne s'applique qu'au seul produit en question, et non pas à l'ensemble de la salle de bains.

7. Nous ne supporterons pas les coûts des réparations ni des remplacements si le défaut du produit est dû à l'un des cas suivants : dommage accidentel ou malveillance, usage abusive, négligence, usure générale, dommage dû à une mauvaise installation ou mauvais entretien, ou toute perte conséquente, si des modifications du produit ont été faites, si le produit n'a pas été utilisé uniquement dans le but pour lequel il est conçu, usage inapproprié.

8. Ces conditions sont régies par la législation de l'Angleterre et du Pays de Galles, et chaque partie accepte de se soumettre à la juridiction des tribunaux anglais.

9. Dans la mesure où cela est permis par la législation applicable, autre que la garantie explicite stipulée dans les présentes conditions, nous (ou tout autre fournisseur tiers) ne faisons aucune garantie supplémentaire, explicite ou implicite, et rejetons toutes les garanties implicites, que ce soit en fait ou par l'exécution de la loi, des règlements ou autres, y compris les garanties ou conditions de qualité marchande ou de l'adéquation à un but particulier. Toutes les garanties qui ne peuvent pas être rejetées aux termes de la législation applicable sont limitées dans la durée à la période de garantie. Aucune garantie, explicite ou implicite, ne sera appliquée après cette période. Nous (ou tout autre fournisseur tiers) ne serons en aucun cas responsables de tous dommages spéciaux, indirects, secondaires ou conséquents, pertes, coûts ou dépenses, quelle que soit la manière dont ils sont survenus, que ce soit de nature contractuelle ou délictuelle, y compris et sans réserves, toutes pertes économiques de toutes sortes, toutes pertes ou tout dommage de la propriété, tous frais de main-d'œuvre pour la remise du produit, toutes blessures, tout dommage ou toutes blessures découlant ou résultant d'un usage négligent ou abusif, ou de l'installation, l'intégration ou du fonctionnement incorrect(e) du produit. Nous n'assurons ni n'autorisons de tiers à assumer de responsabilité en rapport avec la réparation ou le remplacement du produit, et nous limitons toute réclamation à la valeur des marchandises de remplacement et non pas aux frais conséquents (comme par exemple, les frais de plomberie

10. La garantie n'est pas transférable et s'applique uniquement à l'acheteur / au revendeur original.

Pour obtenir des plans techniques et les dimensions, veuillez vous référer à notre site Internet technique: www.imperialbathroom.com

Customer Care and Guarantees

Purchasing, installing and caring for your Imperial bathroom

DEUTSCH

Garantie- und Kundendienstbedingungen

BESTELLUNGEN / AUFTRÄGE

Alle Bestellungen / Aufträge müssen schriftlich per Fax (+44 1922 743180) oder E-Mail export@imperial-bathrooms.co.uk an Imperial aufgegeben werden. Leider können wir keine verbalen Bestellungen entgegen nehmen. Der Käufer muss bei Bestellaufgabe bestätigen, dass er über die Verkaufsbedingungen von Imperial informiert ist. Auftragsnotierungen können nur schriftlich (per Fax oder E-Mail) an das Verkaufsbüro erfolgen. Wurde die Bestellung bereits versandt bzw. geliefert, fällt eine Aufstockungsgebühr von 30% an.

LIEFERUNG

Abhängig von Verfügbarkeit wird die Ware gewöhnlich innerhalb von 5 Werktagen aus unserem Lager versandt. Ist es nicht möglich, die vollständige Bestellung zu verschicken, versenden wir die Waren, sobald alle Artikel verfügbar sind. Sie werden von unserem Verkaufsbüro über Ihren Auftragsstatus informiert. Bei weiteren Fragen können Sie das Verkaufsbüro gerne unter +44 1922 743074 kontaktieren.

Enthält eine Lieferung schadhafte oder fehlende Artikel, müssen Sie das Verkaufsbüro innerhalb von 3 Werktagen nach Warenehalt schriftlich (per Fax oder E-Mail) davon in Kenntnis setzen. Werden Schäden oder fehlende Artikel nicht innerhalb dieser Zeitperiode angegeben, verfällt der Anspruch.

WARENRÜCKGABE

Ohne Genehmigung ist eine Warenrückgabe an Imperial nicht möglich. Bitte informieren Sie das Verkaufsbüro. Sie erhalten eine Retourware-Genehmigungsnummer und werden nun von Imperial kontaktiert, um eine Warenrücknahme zu vereinbaren.

BEDINGUNGEN & KUNDENTESTIMUNGEN

Sie erhalten unsere Bedingungen und Konditionen in unserem Verkaufsbüro. Diese Bedingungen und Konditionen unterliegen englischem und walisischem Recht, und alle Parteien unterziehen sich englischem Gerichtsbarkeit.

Kaufvertrag und Empfehlungsschreiben von Imperial enthalten zusätzliche Bedingungen.

INSTALLATION & TECHNISCHE DATEN

Wir empfehlen, den Kauf unserer Produkte mit Hilfe eines Badezimmer-Fachhändlers vorzunehmen und die Installation stets von einem Fachinstallateur eines anerkannten Fachverbandes durchführen zu lassen. Ein Fachhandel-Verzeichnis ist über unser Verkaufsbüro erhältlich, und viele Fachhändler mit Schauräumen der Imperial Produktpalette bieten zudem einen vollständigen Design- und Installationsdienst an. Sanitaryware-Produkte von Imperial Bathrooms werden nach strengsten Normen hergestellt, und jeder Teil kann während der Produktion bis zu 15 Qualitätskontrollprüfungen unterzogen werden. Trotz der hochwertigen Verarbeitung, die im Imperial-Werk erreicht wird, unterliegen Sanitaryware-Produkte den Beschränkungen des Keramik-Herstellungsprozesses. Anders als maschinelle Erzeugnisse, können sich Produkte aus natürlichem Ton während des Brennens verformen oder schrumpfen und es können, da dieser Prozess nicht vollständig kontrolliert werden kann, geringe Veränderungen in der Formbeständigkeit fertiger Erzeugnisse vorkommen. Diese sind meist nicht bemerkbar und haben keine merklichen Auswirkungen auf die Installation oder das Aussehen des fertigen Badezimmers, daher sind leichte Abweichungen zu erwarten und können als normal betrachtet werden.

Für weitere technische Informationen und Abmessungen besuchen Sie bitte www.imperialbathroom.com oder kontaktieren Sie unser Verkaufsbüro unter +44 1922 743074.

Vor installation sollten alle produkte geprüft werden.

(i) Größen - Alle Größenangaben in dieser Broschüre sind Nennwerte. Tatsächliche Keramikgrößen können zwischen + und - 2% von den Zahlen im technischen Datenblatt abweichen. Bei Planung einer Installation, wo Abmessungen entscheidend sind, ist eine physische Überprüfung des für einzelne Teile bemessenen Abstands mit dem zu installierenden Produkt unerlässlich.

(ii) Holzpolitüren - Alle natürlichen Holzpolitüren reifen mit dem Alter. Farben können von Partie zu Partie bzw. von Panel zu Panel leicht variieren. Bei der Montage zusätzlicher Artikel zu einem späteren Zeitpunkt ist daher eine präzise Farbübereinstimmung nicht immer möglich.

(iii) Halbporzellan - Diese überaus harten, nicht porösen Produkte sind zudem zerbrechlich, und sollten daher während der Installation keinem übermäßigen Druck ausgesetzt werden. Waschbeckenablaufringe können, wenn zu fest angezogen, zu Druck im Keramikmaterial und mit der Zeit zu Produktversagen führen. Ablaufringe sollten stets sorgfältig in Silikon geteilt, und die rückwärtige Mutter sollte mit der Hand festgezogen werden. Eine zusätzliche Viertelumdrehung mit einem geeigneten Schraubenschlüssel ist gewöhnlich für den benötigten wasserdichten Verschluss ausreichend. Auch die Montage von Messingzubehör sollte mit Sorgfalt vorgenommen werden, um ähnliches, durch zu großen Druck verursachtes Produktversagen zu vermeiden.

(iv) Spülkästen - Alle WC-Pfannen und Spülkästen von Imperial Bathrooms spülen der europäischen Norm entsprechend mit 6 Litern.

(v) Acrylbadewannen - Maßangaben für Acrylbadewannen sind Nennwerte, meist abhängig vom Ausmaß an Detail, das in das Design aufgenommen wurde. Vor Installation sollten alle Badewannen sorgfältig geprüft werden.

(vi) Vernickelung / Vergoldung - Alle Produkte in Antikgold- oder Nickelausführung wurden in Großbritannien plattiert, und die Metallauflage entspricht der britischen und europäischen Norm für die entsprechenden Produkte. Diese Artikel sind nur über Sonderbestellung erhältlich und können von Imperial nicht zurückgenommen werden.

(vii) Möbel - Badezimmermöbel von Imperial Bathrooms werden aus einer Kombination aus Vollholz und Holz furnier hergestellt. Alle angegebenen Größen sind Nennwerte, die gegenüber dem tatsächlichen Produkt geprüft werden sollten. Das verwendete Nutzholz stammt von erneuerbaren Ressourcen, und obwohl die Herstellung von Holzprodukten mit größter Sorgfalt vorgenommen wird, sind Variationen in Farbe und Maserung zwischen einzelnen Stücken unvermeidlich. Bei der Verwendung natürlicher Rohstoffe tragen diese zweifelsohne zu deren Schönheit und einzigartigen Wirkung bei. Ist Mattglas das Merkmal, wird nur gehärtetes Sicherheitsglas verwendet.

(viii) Badewannen aus Gusseisen - Während der Herstellung wird die innere Oberfläche des rotglühenden Gusseisens mit einer dicken Emailbeschichtung verschmolzen. Dieser bewährte Prozess kann jedoch Wellen, kleine Vertiefungen und Flecken auf der Oberfläche produzieren, die zum Teil Charakter und Reiz dieser Art Produkt ausmachen, als normal bezeichnet werden können und zu erwarten sind. Die Leistung der Badewanne ist davon in keiner Weise betroffen.

(ix) Wasserdruck - Der empfohlene Wasserdruck für Wasserhähne, Misch- und Duscharmaturen beträgt zwischen 0,3 und 5 Bar. Ist der Druck höher, sollte ein Druckminderventil in das System integriert werden.

(x) Fliesen - Ihre Fliesen wurden hergestellt, um das Aussehen (Größe, Form, Farbe, Dicke, Farbton der Glasur) einer handgemachten Fliese zu simulieren, und daher gleicht keine Fliese vollständig der anderen. Für die beste Zusammenstellung empfehlen wir, beim Verlegen die Fliesen jeweils verschiedenen Kartons zu entnehmen. Das beste Aussehen wird mit einer 3 mm breiten Fugenlinie erreicht. Es empfiehlt sich, nur wasserfesten Kleber und Fugenmasse zu verwenden. Weitere technische Daten sowie zusätzliche Installationsanweisungen für Fliesen erhalten Sie in unserem Verkaufsbüro unter +44 1922 743074.

WARTUNG IHRES BADEZIMMERS

Sanitaryware - der Glanz-Finish Ihrer Sanitaryware sollte nach Gebrauch mit ein wenig Creme-Reiniger gesäubert werden. Tragen Sie den Reiniger mit einem Schwamm oder feuchten Tuch auf und spülen Sie ihn gründlich mit klarem Wasser ab. Von der Verwendung von Scheuermitteln wird abgeraten.

Antikgold-, chrom- oder nickelplattiertes Messingzubehör

und Wasserhähne sollten mit warmem Wasser und ein wenig mildem Reinigungsmittel gesäubert und mit einem weichen Tuch getrocknet werden. Unter keinen Umständen sollten chlorbleichehaltige Reinigungs- oder Scheuermittel oder -politüren auf metallüberzogene Oberflächen aufgetragen werden. Dies gilt besonders für vergoldete oder vernickelte Artikel, da diese Art von Reinigern die Oberfläche beschädigen könnte.

Acrylbadewannen sollten mit ähnlich milden Reinigern (keinen Scheuermitteln) gesäubert werden.

Badezimmerunterschänke, WC-Deckel und Badewannenverkleidungen können mit einem feuchten Tuch gesäubert und mit einem weichen Staubtuch getrocknet werden. Silikonhaltige Poliermittel und alle Scheuermittel können die Holzpolitur beschädigen. Natürliches Wachs sollte sparsam mit einem weichen trockenen Tuch aufgetragen werden.

Stein / Marmor - Für optimale Verwendung wurde jedes Stück Stein / Marmor bereits vorimprägniert, bedarf jedoch regelmäßiger Wartung mit entsprechenden Pflege- und Imprägnierungsprodukten. Wir benutzen eine Spezialimprägnierung, die absorbierende, fleckempfindliche Natursteinoberflächen optimal schützt. Sie verhindert weitgehend das Eindringen von Öl, Fett und Wasser und erleichtert künftige Pflege. Die Verwendung der richtigen Dauerpflegeprodukte erleichtert den Reinigungsprozess und lässt Ihre Steinoberflächen stets frisch und natürlich aussehen. Wir empfehlen je nach Verwendung eine viertel- oder halbährliche Neubebehandlung Ihres Naturstein- bzw. Marmorprodukts.

Fliesen sollten mit warmem Wasser, dem ein neutrales, klares scheuermittelfreies Reinigungsmittel beigefügt wurde, abgewaschen werden. Nach der Reinigung gründlich mit sauberem Wasser abspülen und einem weichen Tuch trocknen.

PRODUKTIONSRICHTLINIE

1. Die Richtlinie der Imperial Bathroom Company umfasst stetige Veränderung zum Besseren. Wir behalten uns daher das Recht vor, Spezifikationen bzw. Abmessungen ohne Vorankündigung zu ändern oder zu ergänzen, und bestimmte Artikel bzw. Farben ohne Vorankündigung aus dem Produktsortiment zu entfernen.

2. Die Farbproduktion in dieser Broschüre ist so genau, wie es die unterschiedlichen Faktoren im Fotografie- und Druckprozess erlauben, daher können bestimmte Farben vom tatsächlichen Produkt etwas abweichen.

3. Wir arbeiten mit größter Sorgfalt daran, dass die von der Imperial Bathroom Company gelieferten Produkte in perfekten Zustand bei Ihnen eintreffen. Ihr Kauf sollte jedoch vor Durchführung jeglicher Installationsarbeiten nach Fertigungsfehlern (oder Schäden) geprüft werden. Für ungewöhnliche Mängel vor oder aufgetretene Schäden während der Installation können wir keine Verantwortung übernehmen.

GARANTIE (EXPORT)

1. Halbporzellanerzeugnisse der Imperial Bathrooms Company führen eine Garantie von fünfundzwanzig Jahren gegen Produktversagen durch Fertigungsfehler.

2. Imperial Wasserhähne, Accessoires, Misch- und Duscharmaturen sind ein Jahr gegen Fertigungsfehler garantiert. Metallüberzogene Oberflächen und Ersatzteile, die normalem Verbrauch unterliegen (z. B. Dichtungsringe), sind in dieser Garantie nicht enthalten.

3. Unterschänke von Imperial Bathrooms sind gegen Herstellungsfehler ein Jahr ab Einbaudatum garantiert.

4. Alle Imperial Bathrooms Badewannen führen eine fünfjährige Garantie gegen Fertigungsfehler.

5. Alle integrierten Teile eines Hydro Jet Whirlpool Systems führen eine Garantie von einem Jahr.

6. Alle Stein- und Marmorprodukte sind ein Jahr gegen Herstellungsfehler garantiert, jedoch nicht gegen Verschmutzung oder Verfärbung.

7. Fliesen führen eine einjährige Garantie gegen Herstellungsfehler, jedoch nicht gegen Verschmutzung oder Verfärbung.

INANSPRUCHNAHME DER IMPERIAL-GARANTIE

Um die Garantie in Anspruch zu nehmen, müssen folgende Bedingungen erfüllt sein:

1. Zum Zeitpunkt des Garantieanspruchs sollte ein Kaufnachweis vorgelegt werden.

2. Das Produkt sollte unserer Anleitung und der europäischen Norm entsprechend nach bewährter Installationsmethode eingebaut worden sein.

3. Wir müssen sicherstellen, dass das Produkt unseren Pflegeanleitungen gemäß gewartet und gepflegt wurde. Für das Versagen eines Produktes, das umgebaut, zu falschen Zwecken verwendet, vernachlässigt oder vorsätzlich oder versehentlich beschädigt wurde, können wir keine Verantwortung übernehmen. Es muss ausschließlich zu dem ihm zugeschriebenen Design-Zweck verwendet worden sein.

4. Wir benötigen angemessene Möglichkeit, das installierte Produkt zu inspizieren. Auch entfernt sollte das Produkt zur Inspektion aufbewahrt werden.

5. Unsere Richtlinie umfasst stetige Veränderung zum Besseren. Kam es zu Produktversagen unter den Garantiebedingungen und einem Ersatzanspruch, und ein identisches Produkt ist nicht mehr verfügbar, erhalten Sie von uns ein entsprechendes Äquivalent.

6. Diese Garantie gilt ausschließlich für das besagte Produkt, nicht für das gesamte Badezimmer.

7. Wir tragen Reparatur- bzw. Ersatzkosten nicht, wenn ein Produktfehler aus folgenden Gründen vorliegt: Versehentliche oder vorsätzliche Beschädigung, ungeeignete Verwendung, Vernachlässigung, allgemeine Abnutzung, Beschädigung auf Grund schlechter Installation, Wartung oder Folgeschäden, wo Änderungen an dem Produkt vorgenommen wurden, wo das Produkt nicht ausschließlich zu dem ihm zugeschriebenen Zweck verwendet wurde, ungeeignete Verwendung.

8. Diese Bedingungen und Konditionen unterliegen englischem und walisischem Recht, und alle Parteien akzeptieren die englische Gerichtsbarkeit.

9. Soweit gesetzlich zulässig geben wir (oder jeder weitere Drittlieferant) neben der in diesen Bedingungen und Konditionen dargelegten ausdrücklichen Garantie keine weiteren Gewährleistungen, weder ausdrücklich noch stillschweigend, und lehnen alle implizierten Gewährleistungen, tatsächlich oder durch unmittelbare Wirkung des Gesetzes, gesetzlich oder anders vorgeschrieben, einschließlich aller Marktängigkeitensgarantien oder -bedingungen sowie Tauglichkeit für einen bestimmten Zweck ab. Alle Gewährleistungen, die unter entsprechend anwendbaren Gesetzen nicht abgelehnt werden können, sind auf die entsprechende Garantieperiode begrenzt. Nach Ablauf dieser Zeitperiode treffen keine Garantien, weder ausdrücklich noch stillschweigend, zu. Wir (oder jeder Drittlieferant) haften in keiner Weise für irgendwelche mittelbaren, Sonder-, Neben- oder Folgeschäden, für weder vertraglich, schadensrechtlich noch anderweitig entstandene Aufwandsverluste oder Unkosten, einschließlich und ohne Einschränkung alle Vermögensseinbußen jeder Art, Vermögensschäden, durch Neuanstellung entstandene Arbeitskosten, alle Körperschäden, sowie für Schäden oder Körperverletzung, welche durch Missbrauch, inkorrekte Installation, Integration oder Betrieb des Produkts entstanden. Wir übernehmen weder selbst noch gemeinsam wir Dritten die Haftungsübernahme in Verbindung mit Reparaturen oder Ersatzprodukten zu akzeptieren und wir beschränken alle Ansprüche ausschließlich auf den Wert der Ersatzware und nicht auf irgendwelche daraus hervorgehenden Folgekosten (z. B. Installationskosten).

10. Die Garantie ist nicht übertragbar und gilt nur für den ursprünglichen Käufer bzw. Einzelhändler.

Für technische Zeichnungen und Größenangaben beziehen Sie sich bitte auf unsere Webseite www.imperialbathroom.com

ESPAÑOL

Garantías y servicio de atención al cliente, términos y condiciones

PEDIDOS DE VENTA

Todos los pedidos deben enviarse a Imperial por fax (+44 1922 743180) o bien por correo electrónico a export@imperial-bathrooms.co.uk. Lamentablemente, no podemos aceptar pedidos orales. Al colocar el pedido, el Comprador debe aceptar que conoce los Términos y Condiciones de Venta de Imperial. La Cancelación de Pedidos debe hacerse por escrito (por fax o por correo electrónico) y enviarse a la oficina de ventas. Si el pedido ya ha sido despachado, o si ha sido entregado, se aplicará un cargo de devolución de 30%.

ENTREGA

Sujeto a la disponibilidad de existencias, esperamos poder despachar los productos de nuestros almacenes dentro de un periodo de 5 días hábiles. Si no podemos despachar el pedido por entero, despacharemos los productos faltantes al momento en que los tengamos disponibles. La oficina de Ventas le mantendrá informado del estado de su pedido, y si tiene alguna consulta, le rogamos llamar a la oficina de ventas al +44 1922 743074.

En el caso de productos faltantes o dañados al momento de la entrega, deberá informar a la oficina de ventas por escrito, dentro de un periodo de 3 días hábiles a partir de la entrega de los productos (por fax o por correo electrónico). De no hacerse esto dentro del periodo indicado, el reclamo quedará invalidado.

DEVOLUCIONES

Ningún producto puede devolverse a Imperial sin su previa autorización. Le rogamos informar toda devolución a la oficina de ventas, y obtener un Número de Autorización de Devolución de Material. A continuación, Imperial se comunicará con usted para hacer los arreglos pertinentes para la devolución del producto.

TÉRMINOS Y CONDICIONES

Sírvase comunicarse con la oficina de Ventas para obtener una copia de nuestros Términos y Condiciones. Estos Términos y condiciones están regidos por las leyes de Inglaterra y Gales, y todas las partes se someten a la jurisdicción de las Cortes Inglesas.

Otras condiciones también se establecen en nuestro Contrato de Venta y carta de introducción de Imperial

INSTALACIÓN Y ESPECIFICACIONES TÉCNICAS

Recomendamos la compra de todos los productos con la asistencia de un minorista especializado en sanitarios, y que tales siempre sean instalados por un técnico experimentado, miembro de una asociación de fontaneros reconocida. Nuestra oficina de ventas podrá suministrarle una lista de los minoristas de sanitarios, y muchos de los minoristas que trabajan con nuestras líneas de productos pueden ofrecer un completo servicio de diseño e instalación. Los productos sanitarios de Imperial Bathrooms se fabrican según las normas más exigentes, y cada pieza puede estar sujeta a hasta 15 controles de calidad independientes durante su producción. A pesar del acabado de alta calidad logrado en la fábrica de Imperial, todos los artículos sanitarios están sujetos a las limitaciones del proceso de fabricación de cerámica. A diferencia de los productos terminados a máquina, los productos a base de arcilla natural se encojén y desplazan durante su cocción, y, dado que este proceso no puede controlarse de lleno, se producen variaciones menores en la estabilidad dimensional de los productos terminados. En la mayoría de los casos, esto no se nota, y no tiene efecto significativo en la instalación o en el aspecto del baño terminado, pero en todo caso, estas variaciones son normales, y de esperar.

Para información técnica adicional y dimensiones, consulte www.imperialbathroom.com o comuníquese con la oficina de ventas al +44 1922 743074

Todos los productos deben inspeccionarse previo a su instalación.

(i) Medidas: Todas las medidas detalladas en este catálogo son nominales. Las dimensiones reales de las cerámicas varían en +/- 2% respecto de las cifras citadas en nuestros datos técnicos. Al planificar instalaciones en las cuales las dimensiones son asunto

crítico, es esencial que el espacio previsto para los artículos individuales sea verificado físicamente contra los productos a instalar.

(ii) Acabado en madera: Todos los acabados en madera natural maduran con el tiempo, y los colores pueden variar levemente entre los distintos lotes, o entre los distintos paneles. Por consiguiente, no siempre es posible lograr una concordancia de color precisa cuando se añaden con posterioridad artículos adicionales.

(iii) Porcelana vitrificada: Estos son productos extremadamente sólidos y no porosos, pero también quebradizos, y por lo tanto, no deben someterse a grandes presiones durante su instalación. Si se ajustan en exceso los accesorios de desagüe del lavabo, esto puede ocasionar la fatiga del material cerámico, con el posterior fallo del producto. Los accesorios de desagüe deben apoyarse sobre silicona, y la tuerca posterior debe ajustarse a mano. Un cuarto de giro adicional con una llave adecuada basta para crear el sello hermético necesario. También debe tenerse cuidado al instalar bronería, a fin de evitar fallas similares a causa de fatiga.

(iv) Agua en la cisterna: Todos los WC y cisternas de Imperial Bathrooms WC utilizan 6 litros de agua, de conformidad con las Normas EN Europeas

(v) Bañeras de acrílico: Las medidas de las bañeras de acrílico son nominales, y las dimensiones finales a menudo dependen del grado de detalle incorporado en el diseño. Todas las bañeras deben inspeccionarse minuciosamente previo a su instalación.

(vi) Enchapado en oro y en níquel: Todos los artículos con acabado en Níquel u Oro Antiguo han sido enchapados en el Reino Unido, y el enchapado cumple con las Normas Británicas y Europeas en relación con este tipo de productos. Estos artículos se hacen a pedido especial y no pueden ser devueltos a Imperial.

(vii) Mobiliario: Los muebles de Imperial Bathrooms se producen a partir de una combinación de madera maciza y paneles enchapados en madera, y todas las medidas detalladas son nominales, y deben verificarse contra el producto en sí. La madera empleada se obtiene de fuentes renovables, y si bien se toman todas las precauciones durante la fabricación de los productos de madera, es inevitable que se produzcan variaciones en tono y veta entre las distintas piezas. De hecho, esto es parte de la belleza y exclusivo atractivo del uso de materiales naturales. En los productos que incorporan cristal esmerilado, sólo se utiliza cristal de seguridad templado.

(viii) Bañeras de hierro fundido: Durante la fabricación se utiliza una gruesa capa de esmalte en polvo que se fusiona a la superficie interna de hierro fundido caliente. Este largamente establecido proceso puede, sin embargo, producir ondulaciones, hoyuelos y motas en la superficie, que forman parte del carácter y atractivo de este tipo de producto, y es normal y de esperarse. No obstante, esto no afecta en absoluto en rendimiento de la bañera.

(ix) Presiones en bares: La presión de operación recomendada para las válvulas de los grifos, mezcladores, y duchas es de 0,3 a 5 bares. Si la presión es superior, deberá incorporarse al sistema una válvula reductora de presión.

(x) Azulejos: Los azulejos se fabrican para imitar el aspecto (tamaño, forma, color, espesor, tono de vidrio) de un azulejo hecho a mano, y, como tales, todos tienen aspecto diferente entre sí. A fin de lograr la mejor combinación, recomendamos usar azulejos provenientes de diversas cajas durante la aplicación. También recomendamos que lo mejor es dejar una separación de 3mm para la pastina. Sólo utilice adhesivos y pastinas a prueba de agua. Para Datos Técnicos Adicionales, y para instrucciones de instalación adicionales para los Azulejos, le rogamos comunicarse con nuestra oficina de ventas al +44 1922 743074

CUIDADO DE SU SALA DE BAÑO

Sanitarios: El acabado vitreo de sus Sanitarios debe limpiarse tras el uso mediante la aplicación de un poco de crema de limpieza. Aplíquelo con una esponja o paño húmedo, y enjuague bien con agua limpia. Debe evitarse los artículos de limpieza que contengan abrasivos.

Bronería y grifos en Níquel, Cromado u Oro Antiguo:

Deben limpiarse con agua jabonosa y secarse con un paño seco. Bajo ninguna circunstancia debe usarse lejía o productos de limpieza abrasivos, lustres, o detergentes sobre las superficies enchapadas, y en particular, estos materiales nunca deben emplearse con los productos enchapados en Níquel u Oro, ya que la superficie podría resultar dañada.

Bañeras de acrílico: Deben limpiarse utilizando productos de limpieza similares no abrasivos.

Mobiliario para baño, tapas para WC y paneles para bañera. pueden limpiarse con un paño húmedo, y secarse con un paño suave. El uso de lustres que contengan silicona o cualquier material abrasivo puede dañar el acabado de la madera. Los lustres de cera natural deben usarse con poca frecuencia, y aplicarse con un paño suave y seco.

Piedra / Mármol: A fin de facilitar su uso, cada pieza de piedra/mármol ha sido presellada, pero requiere mantenimiento regular con productos de cuidado y sellado apropiados. Usamos una impregnación especial que aporta una óptima protección a las superficies de piedra natural absorbentes y susceptibles a manchas, que previene en gran medida la penetración de aceite, grasas, y agua, y facilita el mantenimiento adicional. El uso constante de los productos de cuidado correctos simplificará el proceso de limpieza, y mantendrá el fresco aspecto de todas las superficies de piedra. Recomendamos volver a tratar los productos cada cuatro o seis meses, dependiendo del uso.

Azulejos: Deben lavarse con un detergente neutral, transparente, de bajo contenido de sulfatos, disuelto en agua tibia. Tras la limpieza, enjuagar bien con agua limpia, y secar con un paño suave y seco.

POLÍTICA DE FABRICACIÓN

- Imperial Bathroom Company tiene una política de continua mejora de sus productos. En consecuencia, nos reservamos el derecho de alterar o enmendar las especificaciones/dimensiones y precios sin previo aviso, y también de retirar del mercado artículos/ colores específicos sin aviso previo.
- La reproducción de color en este catálogo tiene la precisión permitida por las variables de los procesos fotográficos y de imprenta, y los colores específicos pueden variar de los colores de los productos en sí.
- Se han tomado todos los cuidados para asegurar que los productos abastecidos por Imperial Bathroom Company lleguen a usted en perfecta condición. No obstante, todas las compras deben ser inspeccionadas en caso de que presenten defectos (o daños) de fabricación antes de iniciar los trabajos de instalación. No podemos aceptar responsabilidad por ningún defecto evidente antes o producido después de la instalación.

GARANTÍAS (EXPORTACIÓN)

- La porcelana vitrea fabricada por Imperial Bathroom Company tiene una garantía de Veinticinco Años respecto de fallos que se produzcan a raíz de un defecto de fabricación.
- Los grifos, mezcladores, accesorios, y válvulas para ducha están garantizados contra defectos de fabricación por Un Año, y esto excluye las superficies enchapadas y las piezas reemplazables que están sujetas a uso normal, por ej., arandelas.
- El mobiliario para sala de baño de Imperial Bathrooms está garantizado contra defectos de fabricación por un periodo de Un Año a partir de su instalación.
- Todas las bañeras de Imperial Bathrooms tienen una garantía de CINCO AÑOS contra defectos de fabricación.
- Todos los componentes que forman parte de los sistemas Hydro Jet Whirlpool están garantizados por Un Año.
- Todos los productos de piedra y mármol tienen una garantía de Un Año contra defectos de fabricación, y no están garantizados contra decoloración o manchas.
- Los azulejos tienen una garantía de Un Año contra defectos de fabricación, y no están garantizados contra decoloración o manchas.

PARA EFECTUAR UN RECLAMO BAJO LA GARANTÍA DE IMPERIAL

A fin de efectuar un reclamo bajo la garantía se deberán cumplir primero las siguientes condiciones:

- Al momento del reclamo deberá proveerse un comprobante de compra.
- El producto tiene que haber sido instalado de conformidad con nuestras instrucciones de instalación, Normas EN, y buenas prácticas de fontanería.
- Debemos asegurarnos que el producto haya sido mantenido y cuidado de conformidad con nuestras Instrucciones para el Cuidado. No podemos aceptar responsabilidad por el fallo de un producto que haya sido modificado, usado indebidamente, descuidado, o dañado a propósito o accidentalmente. Debe también haber sido utilizado para el solo fin para el cual fue diseñado.
- Se nos debe brindar oportunidad razonable para inspeccionar el producto en su posición instalada. En caso de quitar el producto, tal debe guardarse para su inspección.
- Tenemos una política de constante mejora de nuestros productos. Si el producto ha fallado bajo los términos de la garantía, y se ofrece un reemplazo, pero ya no disponemos de productos idénticos, el producto será reemplazado por el equivalente más cercano.
- Esta garantía sólo se aplica al exclusivo producto en cuestión, y no a la totalidad del juego de baño.
- No nos haremos cargo del coste de reparaciones o reemplazos en los casos en que el fallo del producto se deba a los siguientes: Uso accidental o malicioso, Uso indebido, Negligencia, Desgaste general, Daños debido a una mala instalación, o Mal servicio o pérdida consecuente. Cuando se hayan efectuado modificaciones al producto. Cuando el producto no haya sido usado para su exclusivo uso, Uso inapropiado.
- Estos términos y condiciones están regidos por las leyes de Inglaterra y Gales, y todas las partes se someten a la jurisdicción de las Cortes Inglesas.
- En la medida en que lo permite la ley aplicable, más allá de la garantía expresa establecida en estos términos y condiciones (o las de cualquier otro tercero proveedor), no otorgamos garantías adicionales, ya sea expresas o implícitas, y rechazamos toda garantía implícita, ya sea de hecho o por aplicación de la ley, estatuida o de cualquier otro modo, incluyendo las garantías o condiciones de comerciabilidad y aptitud para el uso en particular. Toda garantía no denegada bajo la ley aplicable se limita en duración al periodo de garantía. Ninguna garantía, ya sea expresa o implícita, se aplicará una vez caducado este periodo. De ningún modo nuestra empresa (ni ningún tercero proveedor) será responsable por ningún daño especial, indirecto, incidental, o consecuente, pérdidas, costes o gastos, cualquiera sea su razón, ya sea contractual o extracontractual, incluyendo, sin restricciones, toda pérdida económica de cualquier tipo, toda pérdida o daño a la propiedad, todo costo de mano de obra para la reinstalación del producto, toda lesión personal, todo daño o lesión que se deba o sea el resultado del uso indebido o abuso, o de la incorrecta instalación, integración u operación del producto. No aceptamos ni autorizamos a ninguna otra persona a aceptar ninguna responsabilidad en relación con la reparación o reemplazo del producto, y limitamos el valor de todo reclamo al reemplazo de los productos, sin incluir ningún cargo consecuente (tal como los gastos de fontanería).
- La garantía es intransferible y sólo se aplica al comprador / vendedor originales.

Para obtener planos y dimensiones, consulte nuestro sitio web técnico en www.imperialbathroom.com

Customer Care and Guarantees

Purchasing, installing and caring for your Imperial bathroom

РУССКИЙ ЯЗЫК

Гарантии и обслуживание клиентов.
Положения и условия

Заказы клиентов

Все заказы необходимо направлять в компанию Imperial по факсу +44 1922 743180 или по электронной почте HYPERLINK "mailto:export@imperial-bathrooms.co.uk" export@imperial-bathrooms.co.uk. К сожалению, компания не может принимать устные заказы. При размещении заказа Покупатель должен подтвердить, что он знаком с Положениями и условиями продажи, действующими в компании Imperial. Анулирование заказов осуществляется путем отправки письменного уведомления (по факсу или электронной почте) в отдел продаж. Если заказ был уже отгружен или доставлен, то применяется штраф за возврат неиспользованного товара в размере 30%.

Доставка

При наличии товара на складе компания должна быть в состоянии доставить его в течение пяти рабочих дней. Если мы не можем отгрузить заказ в полном объеме, мы будем отправлять изделия по мере их доступности. Отдел продаж будет информировать Вас о статусе выполнения Вашего заказа, а если у Вас возникнут какие-либо вопросы, то позвоните, пожалуйста, в отдел продаж по телефону +44 1922 743074.

Если поставленный заказ имеет недостающие или поврежденные изделия, то Вы должны сообщить об этом отделу продаж (по факсу или электронной почте) в течение трех рабочих дней с момента получения товара. Несообщение этой информации в указанный период лишает более поздние претензии юридической силы.

Возврат

Возврат каких-либо товаров компании Imperial осуществляется только на основании разрешения с ее стороны. Сообщите, пожалуйста, отделу продаж о возврате и получите номер Разрешения на возврат товара. После этого представитель Imperial свяжется с Вами, чтобы оговорить условия возврата товаров.

Положения и условия

Свяжитесь, пожалуйста, с отделом продаж, чтобы получить экземпляр наших Положений и условий. Данные положения и условия регулируются законодательством Англии и Уэльса, и каждая из сторон обязуется подчиняться юрисдикции английских судов.

Другие условия изложены в Договоре о продаже и в письме-представлении компании Imperial.

Установка и технические характеристики Мы рекомендуем, чтобы все изделия покупались в специализированном предприятии розничной торговли изделиями для ванн и всегда устанавливались опытным специалистом, который является членом признанной ассоциации сантехников. Список таких предприятий розничной торговли можно получить в нашем отделе продаж. Многие предприятия, демонстрирующие ассортимент изделий компании Imperial, предлагают полный сервис в области дизайна и установки. Сантехнические изделия компании Imperial

Bathrooms изготавливаются с соблюдением самых жестких стандартов, и каждое из изделий в процессе производства может подвергаться различным проверкам качества до 15 раз. Тем не менее, несмотря на высокий уровень качества производства, достигнутый на заводе компании Imperial, на все сантехнические изделия распространяются ограничения, присущие процессу производства керамических изделий. В отличие от изделий, полученных путем механической обработки, изделия из натуральной глины подвержены усадке и деформации при обжиге, и поскольку полностью контролировать такой процесс невозможно, то готовые изделия имеют небольшие отклонения в своих размерах. В большинстве случаев это не заметно и не оказывает значительного влияния на установку или на внешний вид ванной, но в любом случае такие отклонения являются нормальными и ожидаемыми.

Дополнительную техническую информацию и размеры можно узнать, посетив сайт www.imperialbathroom.com, или позвонив в отдел продаж по телефону +44 1922 743074.

Перед установкой все изделия должны пройти осмотр.

(i) Размеры. В данной брошюре приведены номинальные размеры. Фактические размеры керамических изделий могут варьироваться в пределах +/- 2% по отношению к размерам, указанным в нашей технической документации. Если установка планируется в месте, где размеры имеют критическое значение, то рекомендуется физически проверить, помещаются ли конкретные изделия в отведенном для них пространстве.

(ii) Отделка деревянных поверхностей. Внешний вид всех деталей из натуральной древесины может меняться со временем, а цвет может слегка варьироваться от партии к партии или от панели к панели. Поэтому добиться точного соответствия цвета в тех случаях, когда некоторые дополнительные изделия поставляются позже, не всегда представляется возможным.

(iii) Сантехнический фарфор. Это исключительно твердые непористые изделия, которые также являются хрупкими и поэтому не должны подвергаться воздействию механических напряжений во время установки. Фитинги, подсоединяемые к стоку ванн, при чрезмерном затягивании создают в керамическом материале напряжения, которые со временем могут привести к разрушению изделия. Присоединительные фитинги нужно тщательно изолировать силиконовыми прокладками, а зажимную гайку следует затягивать вручную. После этого для создания необходимого герметичного соединения достаточно будет дополнительно подтянуть гайку на четверть оборота с помощью подходящего гаечного ключа. Также необходимо проявлять осторожность при установке изделий из меди для предотвращения аналогичных поломок, обусловленных напряжением.

(iv) Смывной бачок. Все унитазы и сливные бачки компании Imperial Bathrooms рассчитаны на слив объемом в 6 литров, что соответствует требованиям европейских стандартов EN.

(v) Акриловые ванны. Указанные размеры акриловых ванн являются номинальными, конечные размеры часто зависят от количества деталей в конструкции. Перед установкой все ванны должны быть тщательно осмотрены.

(vi) Золочение и никелировка. Нанесение металлизированных покрытий на все изделия со старинной позолотой или никелировкой осуществляется в Великобритании в соответствии с британскими и европейскими стандартами для соответствующих изделий. Такие изделия, выполненные на заказ, не подлежат возврату в компанию Imperial.

(vii) Мебель. Мебель компании Imperial Bathrooms изготавливается как из массивной древесины, так и из древесного шпона, при этом все указанные размеры являются номинальными и их следует проверять на конкретном изделии. Используемый лесоматериал поставляется из возобновляемых источников, и, хотя при изготовлении прилегаются все усилия для обеспечения единообразия, между отдельными изделиями неминуемо будут существовать различия в цвете и текстуре, которые, на самом деле, являются одним из аспектов красоты и уникальной привлекательности использования природных материалов. Для изделий, содержащих стекло, декорированное «под заморозь», используются только упрочненное безосколочное стекло.

(viii) Чугунные ванны. Во время изготовления на внутреннюю поверхность раскаленной докрасна чугунной ванны наплавляется толстый слой порошковой эмали. Однако этот давно применяемый процесс может приводить к образованию на поверхности яри, а также крохотных ямочек и пятнышек, которые присущи такому виду изделия, являются для него нормальными и ожидаемыми и даже повышают его привлекательность, но не влияют на эксплуатационные качества ванны.

(ix) Рабочее давление. Рекомендуемое рабочее давление для кранов, смесителей и душевых вентилей составляет от 0,3 бар до 5 бар. Если фактическое давление превышает указанные значения, то в системе необходимо установить понижающий давление вентиль.

(x) Плитка. Плитка изготавливается так, чтобы своим внешним видом, размером, формой, цветом, толщиной, оттенком глазури она была похожа на плитку, изготовленную вручную, и поэтому все плитки отличаются своим внешним видом друг от друга. Чтобы получить наилучшее сочетание, мы рекомендуем брать плитку при ее укладке из нескольких упаковок. Для повышения эстетического вида рекомендуемая толщина шва должна составлять 3 мм. Используйте только водостойкие адгезивы и цементные растворы. Дополнительную техническую информацию и дополнительные указания по кладке плитки можно получить, позвонив в отдел продаж по телефону +44 1922 743074.

Уход за ванной комнатой Сантехника. Глазурованную поверхность Ваших сантехнических изделий после использования необходимо чистить путем нанесения небольшого количества кремнеподобного чистящего средства.

Нанесите чистящее средство на поверхность с помощью губки или влажной тряпки, а затем тщательно ополосните поверхность чистой водой. Не пользуйтесь чистящими средствами, содержащими абразивные материалы.

Изделия из бронзы и краны со старинной позолотой, хромированным и никелированным покрытием следует мыть теплым мыльным раствором, а затем протирать насухо мягкой тряпкой. Ни в коем случае не следует чистить металлизированные покрытия отбеливателями, абразивными чистящими средствами, полирующими средствами или детергентами, в частности, если эти материалы используются для чистки изделий из никелированной или золоченой поверхности, то такая поверхность может быть повреждена.

Акриловые ванны следует чистить с помощью аналогичных неабразивных чистящих средств.

Туалетные столики для ванн комнат, сиденья и панели вани можно протирать влажной тряпкой, а затем вытирать насухо куском мягкой материи. Использование полирующих средств, содержащих силиконовые или любые абразивные материалы, может повредить отделку деревянных поверхностей. Допускается умеренное использование парафинсодержащих полирующих средств, которые следует наносить с помощью мягкой сухой тряпки.



For further information or technical specifications,
please visit our website www.imperialbathroom.com
now smart phone and tablet compatible



MADE IN BRITAIN

SOFT - CLOSE



Imperial Astoria toilet seat
supplied with a soft-close chrome hinges

White XA50000T10NSB



Imperial Classic toilet seat
supplied with a soft-close chrome hinges

White XC50000T10NSB



Imperial Contemporary toilet seat
supplied with a soft-close chrome hinges

White XS500SST10SN

Note: Toilet seat hinges and lift handles can be ordered from the Spares Section at the rear of the brochure.

WESTMINSTER Toilet Seat Options

STANDARD CLOSE



Imperial Westminster solid timber toilet seat supplied with a standard chrome hinge (Made in the UK)

Natural Oak XM50000120
Wenge XM50000142

Imperial Westminster solid timber toilet seat supplied with a standard Gold plated hinge (Made in the UK)

Natural Oak XM50000220
Wenge XM50000242



Imperial Westminster toilet seat supplied with a standard chrome hinge

Gloss White XM50000110

SOFT - CLOSE



Imperial Westminster solid timber toilet seat supplied with soft-close chrome hinges (Made in the UK)

Supplied with seat lid lift handle in the box

Natural Oak XM50000120NSB
Wenge XM50000142NSB



Imperial Westminster solid timber toilet seat supplied with soft-close chrome hinges

Gloss White XM50000110NSB
High Gloss Black XM500SS150SN

Note: Toilet seat hinges and lift handles can be ordered from the Spares Section at the rear of the brochure.

RADCLIFFE Toilet Seat Options

STANDARD CLOSE



Imperial Radcliffe solid timber toilet seat supplied with a standard chrome hinge (Made in the UK)

Natural Oak XW50000120
Wenge XW50000142

Imperial Radcliffe solid timber toilet seat supplied with a standard Gold plated hinge (Made in the UK)

Natural Oak XW50000220
Wenge XW50000242



Imperial Radcliffe toilet seat supplied with a standard chrome hinge

Gloss White XW50000110

SOFT - CLOSE



Imperial Radcliffe solid timber toilet seat supplied with soft-close chrome hinges (Made in the UK)

Supplied with seat lid lift handle in the box

Natural Oak XW50000120NSB
Wenge XW50000142NSB
Grey Ecu XW50000104NSB
Moseley Blue XW50000114NSB



Imperial Radcliffe solid timber toilet seat supplied with soft-close chrome hinges

Gloss White XW50000110NSB
High Gloss Black XW500SS150SN

Note: Toilet seat hinges and lift handles can be ordered from the Spares Section at the rear of the brochure.

DRIFT Toilet Seat Options

STANDARD CLOSE



Imperial Drift solid timber toilet seat supplied with a standard chrome hinge (Made in the UK)

Natural Oak	XD50000120
Wenge	XD50000142

Imperial Drift solid timber toilet seat supplied with a standard Gold plated hinge (Made in the UK)

Natural Oak	XD50000220
Wenge	XD50000242



Imperial Drift toilet seat supplied with a standard chrome hinge

Gloss White	XD500SS110
-------------	------------

SOFT - CLOSE



Imperial Drift solid timber toilet seat supplied with soft-close chrome hinges (Made in the UK)

Supplied with seat lid lift handle in the box

Natural Oak	XD50000120NSB
Wenge	XD50000142NSB
Grey Ecu	XD50000104NSB
Moseley Blue	XD50000114NSB



Imperial Drift solid timber toilet seat supplied with soft-close chrome hinges

Gloss White	XD50000110NSB
High Gloss Black	XD500SS150SN

Note: Toilet seat hinges and lift handles can be ordered from the Spares Section at the rear of the brochure.

WINDSOR Toilet Seat Options

STANDARD CLOSE



Imperial Windsor solid timber toilet seat supplied with a standard chrome hinge (Made in the UK)

Natural Oak XT50000120
Wenge XT50000142

Imperial Windsor solid timber toilet seat supplied with a standard Gold plated hinge (Made in the UK)

Natural Oak XT50000220
Wenge XT50000242



Imperial Windsor toilet seat supplied with a standard chrome hinge

Gloss White XT50000110

SOFT - CLOSE



Imperial Windsor solid timber toilet seat supplied with soft-close chrome hinges (Made in the UK)

Supplied with seat lid lift handle in the box

Natural Oak XT50000120NSB
Wenge XT50000142NSB
Grey Ecru XT50000104NSB
Moseley Blue XT50000114NSB



Imperial Windsor solid timber toilet seat supplied with soft-close chrome hinges

Gloss White XT50000110NSB
High Gloss Black XT500SS150SN

Note: Toilet seat hinges and lift handles can be ordered from the Spares Section at the rear of the brochure.

CHELSEA Toilet Seat Options

STANDARD CLOSE



Imperial Chelsea solid timber toilet seat supplied with a standard chrome hinge (Made in the UK)

Natural Oak XG50000120
Wenge XG50000142

Imperial Chelsea solid timber toilet seat supplied with a standard Gold plated hinge (Made in the UK)

Natural Oak XG50000220
Wenge XG50000242



Imperial Chelsea toilet seat supplied with a standard chrome hinge

Gloss White XG500SS110

SOFT - CLOSE



Imperial Chelsea solid timber toilet seat supplied with soft-close chrome hinges (Made in the UK)

Supplied with seat lid lift handle in the box

Natural Oak XG50000120NSB
Wenge XG50000142NSB
Grey Ecu XG50000104NSB
Moseley Blue XG50000114NSB



Imperial Chelsea solid timber toilet seat supplied with soft-close chrome hinges

Gloss White XG500SS110SN
High Gloss Black XG500SS150SN

Note: Toilet seat hinges and lift handles can be ordered from the Spares Section at the rear of the brochure.

ETOILE Toilet Seat Options

STANDARD CLOSE



**Imperial Etoile solid timber toilet seat
supplied with a standard chrome hinge
(Made in the UK)**

Natural Oak XE50000120
Wenge XE50000142

**Imperial Etoile solid timber toilet seat
supplied with a standard Gold plated
hinge (Made in the UK)**

Natural Oak XE50000220
Wenge XE50000242



**Imperial Etoile toilet seat
supplied with a standard chrome hinge**

Gloss White XE50000110

SOFT - CLOSE



**Imperial Etoile solid timber toilet seat
supplied with soft-close chrome hinges
(Made in the UK)**

Supplied with seat lid lift handle in the box

Natural Oak XE50000120NSB
Wenge XE50000142NSB
Grey Ecru XE50000104NSB
Moseley Blue XE50000114NSB



**Imperial Etoile solid timber toilet seat
supplied with soft-close chrome hinges**

Gloss White XE50000110NSB
High Gloss Black XE500SS150SN

Note: Toilet seat hinges and lift handles can be ordered from the Spares Section at the rear of the brochure.

OVAL Toilet Seat Options

STANDARD CLOSE



**Imperial Oval solid timber toilet seat
supplied with a standard chrome hinge
(Made in the UK)**

Natural Oak XX50008120
Wenge XX50008142

**Imperial Oval solid timber toilet seat
supplied with a standard Gold plated
hinge (Made in the UK)**

Natural Oak XX50008220
Wenge XX50008242



**Imperial Oval toilet seat
supplied with a standard chrome hinge**

Gloss White XX500SS110

SOFT - CLOSE



**Imperial Oval solid timber toilet seat
supplied with soft-close chrome hinges
(Made in the UK)**

Supplied with seat lid lift handle in the box

Natural Oak XX50008120NSB
Wenge XX50008142NSB
Grey Ecru XX50008104NSB
Moseley Blue XX50008114NSB



**Imperial Oval solid timber toilet seat
supplied with soft-close chrome hinges**

Gloss White XX50008110NSB
High Gloss Black XX500SS150SN

Note: Toilet seat hinges and lift handles can be ordered from the Spares Section at the rear of the brochure.

WHICH TOILET SEAT SHOULD I ORDER?

COLLECTION	ITEM	STANDARD CLOSE	SOFT - CLOSE
ETOILE/UK	Wall-hung pan	Oval — page 214	Oval — page 214
	Back to wall pan	Etoile — page 213	Etoile — page 213
	Close coupled pan	Etoile — page 213	Etoile — page 213
	Pan & low level cistern	Etoile — page 213	Etoile — page 213
	Pan & high level cistern	Etoile — page 213	Etoile — page 213
CHELSEA/EXPORT	Wall-hung pan	Oval — page 214	Oval — page 214
	Back to wall pan	Chelsea — page 212	Chelsea — page 212
	Close coupled pan	Chelsea — page 212	Chelsea — page 212
	Pan & low level cistern	Chelsea — page 212	Chelsea — page 212
	Pan & high level cistern	Chelsea — page 212	Chelsea — page 212
CARLYON	Wall-hung pan	Oval — page 214	Oval — page 214
	Back to wall pan	Windsor — page 211	Windsor — page 211
	Close coupled pan	Windsor — page 211	Windsor — page 211
ASTORIA DECO	Wall-hung pan	Oval — page 214	Oval — page 214
	Close coupled pan	Oval — page 214	Windsor — page 211
	Pan & low level cistern	Oval — page 214	Windsor — page 211
	Pan & high level cistern	Oval — page 214	Windsor — page 211
DRIFT	Wall-hung pan	Oval — page 214	Oval — page 214
	Close coupled pan	Windsor — page 211	Windsor — page 211
	Pan & low level cistern	Drift — page 210	Drift — page 210
	Pan & high level cistern	Drift — page 210	Drift — page 210
RADCLIFFE	Wall-hung pan	Oval — page 214	Oval — page 214
	Close coupled pan	Radcliffe — page 209	Radcliffe — page 209
	Pan & low level cistern	Radcliffe — page 209	Radcliffe — page 209
	Pan & high level cistern	Radcliffe — page 209	Radcliffe — page 209
WESTMINSTER/UK	Close coupled pan	Westminster — page 208	Westminster — page 208
	Pan & low level cistern	Westminster — page 208	Westminster — page 208
	Pan & high level cistern	Westminster — page 208	Westminster — page 208
OXFORD/UK	Close coupled pan	Oval — page 214	Oval — page 214
	Pan & low level cistern	Drift — page 210	Drift — page 210
	Pan & high level cistern	Drift — page 210	Drift — page 210
FIRENZE/UK	Wall-hung pan	Oval — page 214	Oval — page 214
	Back to wall pan	Oval — page 214	Oval — page 214
	Close coupled pan	Oval — page 214	Oval — page 214
	Pan & low level cistern	Oval — page 214	Oval — page 214
	Pan & high level cistern	Oval — page 214	Oval — page 214
HEYFORD/EXPORT	Close coupled pan	Windsor — page 211	Windsor — page 211
	Pan & low level cistern	Drift — page 210	Drift — page 210
	Pan & high level cistern	Drift — page 210	Drift — page 210
BERGIER/EXPORT	Wall-hung pan	Oval — page 214	Oval — page 214
	Back to wall pan	Oval — page 214	Oval — page 214
	Close coupled pan	Oval — page 214	Oval — page 214
	Pan & low level cistern	Oval — page 214	Oval — page 214
	Pan & high level cistern	Oval — page 214	Oval — page 214

Imperial Hand Sprayed Furniture Finish Options

All of our quality furniture is manufactured in the UK from solid wood. Our wood range is available in 3 painted and 2 wood options as well as unfinished*, allowing you to achieve your perfect bathroom scheme.



Natural Oak*



Wenge



White



Grey Ecu



Moseley Blue

IMPERIAL BATHROOMS LIMITED
ENGLAND

WWW.IMPERIALBATHROOM.COM

EXPORT DESK TEL: +44 (0) 1922 747773

COMPANY TEL: +44 (0) 1922 743074 · COMPANY FAX: +44 (0) 1922 743180

EMAIL: EXPORT@IMPERIAL-BATHROOMS.CO.UK

